



INVITATION TO BID

**Construction of Pasture Protection Fences
in scope of Ardahan Kars Artvin Development Project**

Turkey

REF: UNDP-TUR-ITB-PROJ(AKADP)2017/01



**United Nations Development Programme
March, 2017**

Section 1. Letter of Invitation

Ankara, 16 March 2017

Construction of Pasture Protection Fences

Dear Mr./Ms.:

The United Nations Development Programme (UNDP) hereby invites you to submit a Bid to this Invitation to Bid (ITB) for the above-referenced subject.

This ITB includes the following documents:

- Section 1 – This Letter of Invitation
- Section 2 – Instructions to Bidders (including Data Sheet)
- Section 3 – Schedule of Requirements and Technical Specifications
- Section 4 – Bid Submission Form
- Section 5 – Documents Establishing the Eligibility and Qualifications of the Bidder
- Section 6 – Price Schedule Form
- Section 7 – Form for Bid Security
- Section 8 – Form for Performance Security
- Section 9 – Technical Drawings
- Section 10 – Contract to be Signed, including General Terms and Conditions
- Annex 1 – Submission Templates and Forms

Your offer, comprising of a Technical Bid and Price Schedule, together in a sealed envelope, should be submitted in accordance with Section 2.

You are kindly requested to submit an acknowledgment letter to UNDP to the following address:

United Nations Development Programme
Birlik Mah. Katar Cad. No:11 Cankaya/Ankara/Turkey
<http://www.undp.org.tr>
Attention: Güray Balaban

If you have received this ITB through a direct invitation by UNDP, transferring this invitation to another firm requires notifying UNDP accordingly.

Should you require any clarification, kindly communicate with the contact person identified in the attached Data Sheet as the focal point for queries on this ITB.

UNDP looks forward to receiving your Bid and thanks you in advance for your interest in UNDP procurement opportunities.

Yours sincerely,

Claudio Tomasi
Country Director, UNDP CO., TURKEY

Section 2: Instruction to Bidders

Definitions

- a) “*Bid*” refers to the Bidder’s response to the Invitation to Bid, including the Bid Submission Form, Technical Bid and Price Schedule and all other documentation attached thereto as required by the ITB.
- b) “*Bidder*” refers to any legal entity that may submit, or has submitted, a Bid for the supply of goods and provision of related services requested by UNDP.
- c) “*Contract*” refers to the legal instrument that will be signed by and between the UNDP and the successful Bidder, all the attached documents thereto, including the General Terms and Conditions (GTC) and the Appendices.
- d) “*Country*” refers to the country indicated in the Data Sheet.
- e) “*Data Sheet*” refers to such part of the Instructions to Bidders used to reflect conditions of the tendering process that are specific for the requirements of the ITB.
- f) “*Day*” refers to calendar day.
- g) “*Goods*” refer to any tangible product, commodity, article, material, wares, equipment, assets or merchandise that UNDP requires under this ITB.
- h) “*Government*” refers to the Government of the country where the goods and related services provided/rendered specified under the Contract will be delivered or undertaken.
- i) “*Instructions to Bidders*” refers to the complete set of documents which provides Bidders with all information needed and procedures to be followed in the course of preparing their Bid
- j) “*ITB*” refers to the Invitation to Bid consisting of instructions and references prepared by UNDP for purposes of selecting the best supplier or service provider to fulfil the requirement indicated in the Schedule of Requirements and Technical Specifications.
- k) “*LOI*” (Section 1 of the ITB) refers to the Letter of Invitation sent by UNDP to Bidders.
- l) “*Material Deviation*” refers to any contents or characteristics of the bid that is significantly different from an essential aspect or requirement of the ITB, and (i) substantially alters the scope and quality of the requirements; (ii) limits the rights of UNDP and/or the obligations of the offeror; and (iii) adversely impacts the fairness and principles of the procurement process, such as those that compromise the competitive position of other offerors.
- m) “*Schedule of Requirements and Technical Specifications*” refers to the document included in this ITB as Section 3 which lists the goods required by UNDP, their specifications, the related services, activities, tasks to be performed, and other information pertinent to UNDP’s receipt and acceptance of the goods.
- n) “*Services*” refers to the entire scope of tasks related or ancillary to the completion or delivery of the goods required by UNDP under the ITB.

- o) “*Supplemental Information to the ITB*” refers to a written communication issued by UNDP to prospective Bidders containing clarifications, responses to queries received from prospective Bidders, or changes to be made in the ITB, at any time after the release of the ITB but before the deadline for the submission of Bid.

A. GENERAL

1. UNDP hereby solicits Bids as a response to this Invitation to Bid (ITB). Bidders must strictly adhere to all the requirements of this ITB. No changes, substitutions or other alterations to the rules and provisions stipulated in this ITB may be made or assumed unless it is instructed or approved in writing by UNDP in the form of Supplemental Information to the ITB.
2. Submission of a Bid shall be deemed as an acknowledgement by the Bidder that all obligations stipulated by this ITB will be met and, unless specified otherwise, the Bidder has read, understood and agreed to all the instructions in this ITB.
3. Any Bid submitted will be regarded as an offer by the Bidder and does not constitute or imply the acceptance of any Bid by UNDP. UNDP is under no obligation to award a contract to any Bidder as a result of this ITB.
4. UNDP implements a policy of zero tolerance on proscribed practices, including fraud, corruption, collusion, unethical practices, and obstruction. UNDP is committed to preventing, identifying and addressing all acts of fraud and corrupt practices against UNDP as well as third parties involved in UNDP activities. (See http://www.undp.org/about/transparencypdocs/UNDP_Anti_Fraud_Policy_English_FINAL_june_2011.pdf and http://www.undp.org/content/undp/en/home/operations/procurement/procurement_protest/ for full description of the policies)
5. In responding to this ITB, UNDP requires all Bidders to conduct themselves in a professional, objective and impartial manner, and they must at all times hold UNDP’s interests paramount. Bidders must strictly avoid conflicts with other assignments or their own interests, and act without consideration for future work. All Bidders found to have a conflict of interest shall be disqualified. Without limitation on the generality of the above, Bidders, and any of their affiliates, shall be considered to have a conflict of interest with one or more parties in this solicitation process, if they:
 - 5.1 Are, or have been associated in the past, with a firm or any of its affiliates which have been engaged UNDP to provide services for the preparation of the design, Schedule of Requirements and Technical Specifications, cost analysis/estimation, and other documents to be used for the procurement of the goods and related services in this selection process;
 - 5.2 Were involved in the preparation and/or design of the programme/project related to the goods and related services requested under this ITB; or
 - 5.3 Are found to be in conflict for any other reason, as may be established by, or at the discretion of, UNDP.

In the event of any uncertainty in the interpretation of what is potentially a conflict of interest, Bidders must disclose the condition to UNDP and seek UNDP’s confirmation on whether or not such conflict exists.

6. Similarly, the following must be disclosed in the Bid :
 - 6.1 Bidders who are owners, part-owners, officers, directors, controlling shareholders, or key personnel who are family of UNDP staff involved in the procurement functions and/or the

- Government of the country or any Implementing Partner receiving the goods and related services under this ITB; and
- 6.2 Others that could potentially lead to actual or perceived conflict of interest, collusion or unfair competition practices.

Failure of such disclosure may result in the rejection of the Bid.

7. The eligibility of Bidders that are wholly or partly owned by the Government shall be subject to UNDP's further evaluation and review of various factors such as being registered as an independent entity, the extent of Government ownership/share, receipt of subsidies, mandate, access to information in relation to this ITB, and others that may lead to undue advantage against other Bidders, and the eventual rejection of the Bid.
8. All Bidders must adhere to the UNDP Supplier Code of Conduct, which may be found at this link: <http://web.ng.undp.org/procurement/undp-supplier-code-of-conduct.pdf>

B. CONTENTS OF BID

9. Sections of Bid

Bidders are required to complete, sign and submit the following documents:

- 9.1 Bid Submission Cover Letter Form (see ITB Section 4);
- 9.2 Documents Establishing the Eligibility and Qualifications of the Bidder (see ITB Section 5);
- 9.3 Price Schedule (see prescribed form in ITB Section 6);
- 9.4 Bid Security, if applicable (if required and as stated in the DS nos. 9-11, see prescribed Form in ITB Section 7);
- 9.5 Any attachments and/or appendices to the Bid (including all those specified under the **Data Sheet**)

10. Clarification of Bid

- 10.1 Bidders may request clarification of any of the ITB documents no later than the number of days indicated in the **Data Sheet** (DS no. 16) prior to the Bid submission date. Any request for clarification must be sent in writing via courier or through electronic means to the UNDP address indicated in the **Data Sheet** (DS no. 17). UNDP will respond in writing, transmitted by electronic means and will transmit copies of the response (including an explanation of the query but without identifying the source of inquiry) to all Bidders who have provided confirmation of their intention to submit a Bid.
- 10.2 UNDP shall endeavor to provide such responses to clarifications in an expeditious manner, but any delay in such response shall not cause an obligation on the part of UNDP to extend the submission date of the Bid, unless UNDP deems that such an extension is justified and necessary.

11. Amendment of Bid

- 11.1 At any time prior to the deadline for submission of Bid, UNDP may for any reason, such as in response to a clarification requested by a Bidder, modify the ITB in the form of a Supplemental Information to the ITB. All prospective Bidders will be notified in

writing of all changes/amendments and additional instructions through Supplemental Information to the ITB and through the method specified in the **Data Sheet** (DS No. 18).

- 11.2 In order to afford prospective Bidders reasonable time to consider the amendments in preparing their Bid, UNDP may, at its discretion, extend the deadline for submission of Bid, if the nature of the amendment to the ITB justifies such an extension.

C. PREPARATION OF BID

12. Cost

The Bidder shall bear any and all costs related to the preparation and/or submission of the Bid, regardless of whether its Bid was selected or not. UNDP shall in no case be responsible or liable for those costs, regardless of the conduct or outcome of the procurement process.

13. Language

The Bid, as well as any and all related correspondence exchanged by the Bidder and UNDP, shall be written in the language (s) specified in the **Data Sheet** (DS No. 4). Any printed literature furnished by the Bidder written in a language other than the language indicated in the **Data Sheet**, must be accompanied by a translation in the preferred language indicated in the **Data Sheet**. For purposes of interpretation of the Bid, and in the event of discrepancy or inconsistency in meaning, the version translated into the preferred language shall govern. Upon conclusion of a contract, the language of the contract shall govern the relationship between the contractor and UNDP.

14. Bid Submission Form

The Bidder shall submit the Bid Submission Form using the form provided in Section 4 of this ITB.

15. Technical Bid Format and Content

Unless otherwise stated in the **Data Sheet** (DS no. 28), the Bidder shall structure the Technical Bid as follows:

- 15.1 Expertise of Firm/Organization – this section should provide details regarding management structure of the organization, organizational capability/resources, and experience of organization/firm, the list of projects/contracts (both completed and on-going, both domestic and international) which are related or similar in nature to the requirements of the ITB, manufacturing capacity of plant if Bidder is a manufacturer, authorization from the manufacturer of the goods if Bidder is not a manufacturer, and proof of financial stability and adequacy of resources to complete the delivery of goods and provision of related services required by the ITB (see ITB Clause 18 and DS No. 26 for further details). The same shall apply to any other entity participating in the ITB as a Joint Venture or Consortium.
- 15.2 Technical Specifications and Implementation Plan – this section should demonstrate the Bidder's response to the Schedule of Requirements and Technical Specifications by identifying the specific components proposed; how each of the requirements shall be met point by point; providing a detailed specification and description of the goods required, plans and drawings where needed; the essential performance characteristics, identifying the works/portions of the work that will be subcontracted; a list of the major subcontractors, and demonstrating how the bid meets or exceeds the requirements, while

ensuring appropriateness of the bid to the local conditions and the rest of the project operating environment during the entire life of the goods provided. Details of technical bid must be laid out and supported by an Implementation Timetable, including Transportation and Delivery Schedule where needed, that is within the duration of the contract as specified in the **Data Sheet** (DS noS. 29 and 30).

Bidders must be fully aware that the goods and related services that UNDP require may be transferred, immediately or eventually, by UNDP to the Government partners, or to an entity nominated by the latter, in accordance with UNDP's policies and procedures. All bidders are therefore required to submit the following in their bids :

- a) A statement of whether any import or export licences are required in respect of the goods to be purchased or services to be rendered, including any restrictions in the country of origin, use or dual use nature of the goods or services, including any disposition to end users;
- b) Confirmation that the Bidder has obtained license of this nature in the past, and have an expectation of obtaining all the necessary licenses, should their bid be rendered the most responsive; and
- c) Complete documentation, information and declaration of any goods classified or may be classified as "Dangerous Goods".

- 15.3 Management Structure and Key Personnel – This section should include the comprehensive curriculum vitae (CVs) of key personnel that will be assigned to support the implementation of the technical bid, clearly defining their roles and responsibilities. CVs should establish competence and demonstrate qualifications in areas relevant to the requirements of this ITB.

In complying with this section, the Bidder assures and confirms to UNDP that the personnel being nominated are available to fulfil the demands of the Contract during its stated full term. If any of the key personnel later becomes unavailable, except for unavoidable reasons such as death or medical incapacity, among other possibilities, UNDP reserves the right to render the Bid non-responsive. Any deliberate substitution of personnel arising from unavoidable reasons, including delay in the implementation of the project of programme through no fault of the Bidder, shall be made only with UNDP's acceptance of the justification for substitution, and UNDP's approval of the qualification of the replacement who shall be either of equal or superior credentials as the one being replaced.

- 15.4 Where the **Data Sheet** requires the submission of the Bid Security, the Bid Security shall be included along with the Technical Bid. The Bid Security may be forfeited by UNDP, and reject the Bid, in the event of any or any combination of the following conditions:

- a) If the Bidder withdraws its offer during the period of the Bid Validity specified in the **Data Sheet** (DS no. 11), or;
- b) If the Bid Security amount is found to be less than what is required by UNDP as indicated in the **Data Sheet** (DS no. 9), or;
- c) In the case the successful Bidder fails:
 - i. to sign the Contract after UNDP has awarded it;
 - ii. to comply with UNDP's variation of requirement, as per ITB Clause 35; or
 - iii. to furnish Performance Security, insurances, or other documents that UNDP may require as a condition to rendering effective the contract that may be awarded to the Bidder.
 - iv.

16. Price Schedule

The Price Schedule shall be prepared using the attached standard form (Section 6). It shall list all major cost components associated with the goods and related services, and the detailed breakdown of such costs. All goods and services described in the Technical Bid must be priced separately on a one-to-one correspondence. Any output and activities described in the Technical Bid but not priced in the Price Schedule, shall be assumed to be included in the prices of the items or activities, as well as in the final total price of the bid.

17. Currencies

All prices shall be quoted in the currency indicated in the **Data Sheet** (DS no. 15). However, where Bids are quoted in different currencies, for the purposes of comparison of all Bid:

- 17.1 UNDP will convert the currency quoted in the Bid into the UNDP preferred currency, in accordance with the prevailing UN operational rate of exchange on the last day of submission of Bid; and
- 17.2 In the event that the Bid found to be the most responsive to the ITB requirement is quoted in another currency different from the preferred currency as per **Data Sheet** (DS no. 15), then UNDP shall reserve the right to award the contract in the currency of UNDP's preference, using the conversion method specified above.

18. Documents Establishing the Eligibility and Qualifications of the Bidder

18.1 The Bidder shall furnish documentary evidence of its status as an eligible and qualified vendor, using the forms provided under Section 5, Bidder Information Forms. In order to award a contract to a Bidder, its qualifications must be documented to UNDP's satisfactions. These include, but are not limited to the following:

- a) That, in the case of a Bidder offering to supply goods under the Contract which the Bidder did not manufacture or otherwise produce, the Bidder has been duly authorized by the goods' manufacturer or producer to supply the goods in the country of final destination;
- b) That the Bidder has the financial, technical, and production capability necessary to perform the Contract; and
- c) That, to the best of the Bidder's knowledge, it is not included in the UN 1267 List or the UN Ineligibility List, nor in any and all of UNDP's list of suspended and removed vendors.

18.2 Bids submitted by two (2) or more Bidders shall all be rejected by UNDP if they are found to have any of the following:

- a) they have at least one controlling partner, director or shareholder in common; or
- b) any one of them receive or have received any direct or indirect subsidy from the other/s; or
- c) they have the same legal representative for purposes of this ITB; or
- d) they have a relationship with each other, directly or through common third parties, that puts them in a position to have access to information about, or influence on the Bid of, another Bidder regarding this ITB process;
- e) they are subcontractors to each other's bid, or a subcontractor to one bid also submits another Bid under its name as lead Bidder; or
- f) an expert proposed to be in the bid of one Bidder participates in more than one Bid received for this ITB process. This condition does not apply to subcontractors being included in more than one Bid.

19. Joint Venture, Consortium or Association

If the Bidder is a group of legal entities that will form or have formed a joint venture, consortium or association at the time of the submission of the Bid, they shall confirm in their Bid that : (i) they have designated one party to act as a lead entity, duly vested with authority to legally bind the members of the joint venture jointly and severally, and this shall be duly evidenced by a duly notarized Agreement among the legal entities, which shall be submitted along with the Bid; and (ii) if they are awarded the contract, the contract shall be entered into, by and between UNDP and the designated lead entity, who shall be acting for and on behalf of all entities that comprise the joint venture.

After the bid has been submitted to UNDP, the lead entity identified to represent the joint venture shall not be altered without the prior written consent of UNDP. Furthermore, neither the lead entity nor the member entities of the joint venture can:

- a) Submit another Bid, either in its own capacity; nor
- b) As a lead entity or a member entity for another joint venture submitting another Bid.

The description of the organization of the joint venture/consortium/association must clearly define the expected role of each of the entity in the joint venture in delivering the requirements of the ITB, both in the bid and in the Joint Venture Agreement. All entities that comprise the joint venture shall be subject to the eligibility and qualification assessment by UNDP.

Where a joint venture is presenting its track record and experience in a similar undertaking as those required in the ITB, it should present such information in the following manner:

- a) Those that were undertaken together by the joint venture; and
- b) Those that were undertaken by the individual entities of the joint venture expected to be involved in the performance of the services defined in the ITB.

Previous contracts completed by individual experts working privately but who are permanently or were temporarily associated with any of the member firms cannot be claimed as the experience of the joint venture or those of its members, but should only be claimed by the individual experts themselves in their presentation of their individual credentials.

If the Bid of a joint venture is determined by UNDP as the most responsive Bid that offers the best value for money, UNDP shall award the contract to the joint venture, in the name of its designated lead entity, who shall sign the contract for and on behalf of all the member entities.

20. Alternative Bid

Unless otherwise specified in the **Data Sheet** (DS nos. 5 and 6), alternative bid shall not be considered. Where the conditions for its acceptance are met, or justifications are clearly established, UNDP reserves the right to award a contract based on an alternative bid.

21. Validity Period

21.1 Bid shall remain valid for the period specified in the **Data Sheet** (DS no. 8), commencing on the submission deadline date also indicated in the **Data Sheet** (DS no. 21). A Bid valid for a shorter period shall be immediately rejected by UNDP and rendered non-responsive.

- 21.2 In exceptional circumstances, prior to the expiration of the Bid validity period, UNDP may request Bidders to extend the period of validity of their Bid. The request and the responses shall be made in writing, and shall be considered integral to the Bid.

22. Bidder's Conference

When appropriate, a Bidder's conference will be conducted at the date, time and location specified in the **Data Sheet** (DS no. 7). All Bidders are encouraged to attend. Non-attendance, however, shall not result in disqualification of an interested Bidder. Minutes of the Bidder's conference will be either posted on the UNDP website, or disseminated to the individual firms who have registered or expressed interest with the contract, whether or not they attended the conference. No verbal statement made during the conference shall modify the terms and conditions of the ITB unless such statement is specifically written in the Minutes of the Conference, or issued/posted as an amendment in the form of a Supplemental Information to the ITB.

D. SUBMISSION AND OPENING OF BID

23. Submission

- 23.1 The Technical Bid and the Price Schedule must be submitted together and sealed together in one and the same envelope, delivered either personally, by courier, or by electronic method of transmission. If submission will not be done by electronic means, the Technical Bid and Price Schedule must be sealed together in an envelope whose external side must :

- a) Bear the name of the Bidder;
- b) Be addressed to UNDP as specified in the **Data Sheet** (DS no.20); and
- c) Bear a warning not to open before the time and date for Bid opening as specified in the **Data Sheet** (DS no. 24).

If the envelope is not sealed nor labeled as required, the Bidder shall assume the responsibility for the misplacement or premature opening of Bid due to improper sealing and labeling by the Bidder.

- 23.2 Bidders must submit their Bid in the manner specified in the **Data Sheet** (DS nos. 22 and 23). When the Bid is expected to be in transit for more than 24 hours, the Bidder must ensure that sufficient lead time has been provided in order to comply with UNDP's deadline for submission. UNDP shall indicate for its record that the official date and time of receiving the Bid is the actual date and time when the said Bid has physically arrived at the UNDP premises indicated in the **Data Sheet** (DS no. 20).
- 23.3 Bidders submitting Bid by mail or by hand shall enclose the original and each copy of the Bid, in separate sealed envelopes, duly marking each of the envelopes as "Original Bid" and the others as "Copy of Bid". The two envelopes, consisting of original and copies, shall then be sealed in an outer envelope. The number of copies required shall be as specified in the **Data Sheet** (DS no. 19). In the event of any discrepancy between the contents of the "Original Bid" and the "Copy of Bid", the contents of the original shall govern. The original version of the Bid shall be signed or initialed by the Bidder or person(s) duly authorized to commit the Bidder on every page. The authorization shall be communicated through a document evidencing such authorization issued by the highest official of the firm, or a Power of Attorney, accompanying the Bid.

- 23.4 Bidders must be aware that the mere act of submission of a Bid, in and of itself, implies that the Bidder accepts the General Contract Terms and Conditions of UNDP as attached hereto as Section 10.

24. Deadline for Submission of Bid and Late Bids

Bid must be received by UNDP at the address and no later than the date and time specified in the **Data Sheet** (DS no. 20 and 21).

UNDP shall not consider any Bid that arrives after the deadline for submission of Bid. Any Bid received by UNDP after the deadline for submission of Bid shall be declared late, rejected, and returned unopened to the Bidder.

25. Withdrawal, Substitution, and Modification of Bid

- 25.1 Bidders are expected to have sole responsibility for taking steps to carefully examine in detail the full consistency of its Bid to the requirements of the ITB, keeping in mind that material deficiencies in providing information requested by UNDP, or lack clarity in the description of goods and related services to be provided, may result in the rejection of the Bid. The Bidder shall assume any responsibility regarding erroneous interpretations or conclusions made by the Bidder in the course of understanding the ITB out of the set of information furnished by UNDP.
- 25.2 A Bidder may withdraw, substitute or modify its Bid after it has been submitted by sending a written notice in accordance with ITB Clause 23, duly signed by an authorized representative, and shall include a copy of the authorization (or a Power of Attorney). The corresponding substitution or modification of the Bid must accompany the respective written notice. All notices must be received by UNDP prior to the deadline for submission and submitted in accordance with ITB Clause 23 (except that withdrawal notices do not require copies). The respective envelopes shall be clearly marked “WITHDRAWAL,” “SUBSTITUTION,” or “MODIFICATION”.
- 25.3 Bid requested to be withdrawn shall be returned unopened to the Bidders.
- 25.4 No Bid may be withdrawn, substituted, or modified in the interval between the deadline for submission of Bid and the expiration of the period of Bid validity specified by the Bidder on the Bid Submission Form or any extension thereof.

26. Bid Opening

UNDP will open the Bid in the presence of an ad-hoc committee formed by UNDP of at least two (2) members. If electronic submission is permitted, any specific electronic Bid opening procedures shall be as specified in the **Data Sheet** (DS no. 23).

The Bidders’ names, modifications, withdrawals, the condition of the envelope labels/seals, the number of folders/files and all other such other details as UNDP may consider appropriate, will be announced at the opening. No Bid shall be rejected at the opening stage, except for late submission, for which the Bid shall be returned unopened to the Bidder.

27. Confidentiality

Information relating to the examination, evaluation, and comparison of Bid, and the recommendation of contract award, shall not be disclosed to Bidders or any other persons not

officially concerned with such process, even after publication of the contract award.

Any effort by a Bidder to influence UNDP in the examination, evaluation and comparison of the Bid or contract award decisions may, at UNDP's decision, result in the rejection of its Bid.

In the event that a Bidder is unsuccessful, the Bidder may seek a meeting with UNDP for a debriefing. The purpose of the debriefing is discussing the strengths and weaknesses of the Bidder's submission, in order to assist the Bidder in improving the bid presented to UNDP. The content of other bid and how they compare to the Bidder's submission shall not be discussed.

E. EVALUATION OF BID

28. Preliminary Examination of Bid

UNDP shall examine the Bid to determine whether they are complete with respect to minimum documentary requirements, whether the documents have been properly signed, whether or not the Bidder is in the UN Security Council 1267/1989 Committee's list of terrorists and terrorist financiers, and in UNDP's list of suspended and removed vendors, and whether the Bid are generally in order, among other indicators that may be used at this stage. UNDP may reject any Bid at this stage.

29. Evaluation of Bid

29.1 UNDP shall examine the Bid to confirm that all terms and conditions under the UNDP General Terms and Conditions and Special Conditions have been accepted by the Bidder without any deviation or reservation.

29.2 The evaluation team shall review and evaluate the Bids on the basis of their responsiveness to the Schedule of Requirements and Technical Specifications and other documentation provided, applying the procedure indicated in the Data Sheet (DS No. 25). Absolutely no changes may be made by UNDP in the criteria after all Bids have been received.

29.3 UNDP reserves the right to undertake a post-qualification exercise, aimed at determining, to its satisfaction the validity of the information provided by the Bidder. Such post-qualification shall be fully documented and, among those that may be listed in the Data Sheet (DS No.33), may include, but need not be limited to, all or any combination of the following :

- a) Verification of accuracy, correctness and authenticity of the information provided by the bidder on the legal, technical and financial documents submitted;
- b) Validation of extent of compliance to the ITB requirements and evaluation criteria based on what has so far been found by the evaluation team;
- c) Inquiry and reference checking with Government entities with jurisdiction on the bidder, or any other entity that may have done business with the bidder;
- d) Inquiry and reference checking with other previous clients on the quality of performance on on-going or previous contracts completed;
- e) Physical inspection of the bidder's plant, factory, branches or other places where business transpires, with or without notice to the bidder;
- f) Testing and sampling of completed goods similar to the requirements of UNDP, where available; and
- g) Other means that UNDP may deem appropriate, at any stage within the selection process, prior to awarding the contract.

30. Clarification of Bid

To assist in the examination, evaluation and comparison of bids, UNDP may, at its discretion, ask any Bidder to clarify its Bid.

UNDP's request for clarification and the Bidder's response shall be in writing. Notwithstanding the written communication, no change in the prices or substance of the Bid shall be sought, offered, or permitted, except to provide clarification, and confirm the correction of any arithmetic errors discovered by UNDP in the evaluation of the Bid, in accordance with ITB Clause 35.

Any unsolicited clarification submitted by a Bidder in respect to its Bid, which is not a response to a request by UNDP, shall not be considered during the review and evaluation of the Bid.

31. Responsiveness of Bid

UNDP's determination of a Bid's responsiveness will be based on the contents of the Bid itself.

A substantially responsive Bid is one that conforms to all the terms, conditions, and specifications of the ITB without material deviation, reservation, or omission.

If a Bid is not substantially responsive, it shall be rejected by UNDP and may not subsequently be made responsive by the Bidder by correction of the material deviation, reservation, or omission.

32. Nonconformities, Repairable Errors and Omissions

32.1 Provided that a Bid is substantially responsive, UNDP may waive any non-conformities or omissions in the Bid that, in the opinion of UNDP, do not constitute a material deviation.

32.2 Provided that a Bid is substantially responsive, UNDP may request the Bidder to submit the necessary information or documentation, within a reasonable period of time, to rectify nonmaterial nonconformities or omissions in the Bid related to documentation requirements. Such omission shall not be related to any aspect of the price of the Bid. Failure of the Bidder to comply with the request may result in the rejection of its Bid.

32.3 Provided that the Bid is substantially responsive, UNDP shall correct arithmetical errors as follows:

if there is a discrepancy between the unit price and the line item total that is obtained by multiplying the unit price by the quantity, the unit price shall prevail and the line item total shall be corrected, unless in the opinion of UNDP there is an obvious misplacement of the decimal point in the unit price, in which case the line item total as quoted shall govern and the unit price shall be corrected;

if there is an error in a total corresponding to the addition or subtraction of subtotals, the subtotals shall prevail and the total shall be corrected; and

if there is a discrepancy between words and figures, the amount in words shall prevail, unless the amount expressed in words is related to an arithmetic error, in which case the amount in figures shall prevail subject to the above.

32.4 If the Bidder does not accept the correction of errors made by UNDP, its Bid shall be rejected.

F. AWARD OF CONTRACT

33. Right to Accept, Reject, or Render Non-Responsive Any or All Bid

- 33.1 UNDP reserves the right to accept or reject any Bid, to render any or all of the Bids as non-responsive, and to reject all Bids at any time prior to award of contract, without incurring any liability, or obligation to inform the affected Bidder(s) of the grounds for UNDP's action. Furthermore, UNDP is not obligated to award the contract to the lowest price offer.
- 33.2 UNDP shall also verify, and immediately reject their respective Bid, if the Bidders are found to appear in the UN's Consolidated List of Individuals and Entities with Association to Terrorist Organizations, in the List of Vendors Suspended or Removed from the UN Secretariat Procurement Division Vendor Roster, the UN Ineligibility List, and other such lists that as may be established or recognized by UNDP policy on Vendor Sanctions. (See http://www.undp.org/content/undp/en/home/operations/procurement/procurement_protest/)

34. Award Criteria

Prior to expiration of the period of Bid validity, UNDP shall award the contract to the qualified and eligible Bidder that is found to be responsive to the requirements of the Schedule of Requirements and Technical Specification, and has offered the lowest price (See DS No. 32).

35. Right to Vary Requirements at the Time of Award

At the time of award of Contract, UNDP reserves the right to vary the quantity of the goods and/or related services, by up to a maximum twenty five per cent (25%) of the total offer, without any change in the unit price or other terms and conditions.

36. Contract Signature

Within fifteen (15) days from the date of receipt of the Contract, the successful Bidder shall sign and date the Contract and return it to UNDP.

Failure of the successful Bidder to comply with the requirement of ITB Section F.3 and this provision shall constitute sufficient grounds for the annulment of the award, and forfeiture of the Bid Security if any, and on which event, UNDP may award the Contract to the Bidder with the second highest rated Bid, or call for new Bid.

37. Performance Security

A performance security, if required, shall be provided in the amount and form provided in Section 9 and by the deadline indicated in the **Data Sheet** (DS no. 14), as applicable. Where a Performance Security will be required, the submission of the said document, and the confirmation of its acceptance by UNDP, shall be a condition for the effectivity of the Contract that will be signed by and between the successful Bidder and UNDP.

38. Bank Guarantee for Advanced Payment

Except when the interests of UNDP so require, it is the UNDP's preference to make no advanced payment(s) on contracts (i.e., payments without having received any outputs). In the

event that the Bidder requires an advanced payment upon contract signature, and if such request is duly accepted by UNDP, and the said advanced payment exceeds 20% of the total Bid price, or exceed the amount of USD 30,000, UNDP shall require the Bidder to submit a Bank Guarantee in the same amount as the advanced payment. A bank guarantee for advanced payment shall be furnished in the form provided in Section 10.

39. Vendor Protest

UNDP's vendor protest procedure provides an opportunity for appeal to those persons or firms not awarded a purchase order or contract through a competitive procurement process. In the event that a Bidder believes that it was not treated fairly, the following link provides further details regarding UNDP vendor protest procedures:
<http://www.undp.org/procurement/protest.shtml>

Instructions to Bidders

DATA SHEET

The following data for the works and related services shall complement / supplement the provisions in the Instruction to Bidders. In the case of a conflict between the Instruction to Bidders and the Data Sheet, the provisions in the Data Sheet shall prevail.

DS No.	Cross Ref. to Instructions	Data	Specific Instructions / Requirements
1		Project Title :	Ardahan Kars Artvin Development Project
2		Title of Goods/Services/Works Required:	Construction of Pasture Protection Fences
3		Country:	Turkey
4	C.13	Language of the Bid:	English Turkish version of the solicitation documents is given only for reference purposes. English version will govern the procurement procedure.
4		Minimum Qualifying Criteria (Clauses 9.1 & 9.2)	<p>Eligibility Criteria:</p> <ul style="list-style-type: none"> • Be established as single legal entity (real persons, JVs, consortia are not eligible), • Not be in the circumstances of disqualification or restriction set forth in the Laws (or as per the relevant laws of the country in which the Bidder operates) • Not be associated, or have not been associated in the past, directly or indirectly, with entities or any of their affiliates, which have been engaged by the Employer to provide consulting services for the preparation of the design specifications, other documents and/or the present ITB. • Have been legally established since 2012 or before, <p>Qualifying Criteria:</p> <ul style="list-style-type: none"> • The bidder must have successfully completed as contractor at least 1 (one) similar civil works (e.g. construction of superstructure or fencing or manufacturing and installation of steel works) within the last 5 years (2012 and onwards) with a value of at least in the 50% of price quotation • Have an average annual turnover equal to or higher than 1.000.000TRY (one-millionTRY) for 2014, 2015 and 2016 or an annual turnover equal to or higher than 1.000.000 TRY (one-million TRY) in 2016. • Have an average current ratio (current assets/current liabilities) equal to or higher than 1 (one) in the period of review (i.e. 2014, 2015 and 2016) or current ratio (current

			<p>assets/current liabilities) equal to or higher than 1 (one) in 2016.</p> <ul style="list-style-type: none"> • The bidder who does not have an current ratio which is not equal to or higher than 1 (one) will be eliminated from the bid. • Have available or has access to liquid assets, lines of credit or other financial means sufficient to meet the construction cash flow for an amount not less than 1.000.000 TRY (one-million TRY) as demonstrated by the sum of available cash, unused cash credit and unused credit letter substantiated through a bank statement(s) • Non-performance of a contract did not occur within the last 5 years (2012 and onwards) prior to the deadline for submission of bid, based on all information on fully settled disputes or litigation. (A fully settled dispute or litigation is one that has been resolved in accordance with the Dispute Resolution Mechanism under the respective contract and where all appeal instances available to the bidder have been exhausted.)
5	C.20	Conditions for Submitting Bid for Parts or sub-parts of the Total Requirements	Not allowed
6	C.20	Conditions for Submitting Alternative Bid	Not allowed
7	C.22	A pre-Bid conference will be held on:	N/A
8	C.21.1	Period of Bid Validity commencing on the deadline of bid submission	90 days
9	B.9.5 C.15.4 b)	Bid Security	<p>Required</p> <ul style="list-style-type: none"> • Amount: 60.000 TRY (Sixty thousand Turkish Lira) • Section 7: Form For Bid Security <p>☒ Required: PLEASE NOTE THAT THIS IS A MANDATORY REQUIREMENT. AT THE BID OPENING, IF THE BID SECURITY IS NOT FOUND, THE BID SHALL BE REJECTED WITHOUT FURTHER CONSIDERATION OR EVALUATION.</p>
10	B.9.5	Acceptable forms of Bid Security	Bank Guarantee (See Section 7 for template)
11	B.9.5 C.15.4 a)	Validity of Bid Security	<p>120 days from the deadline of Bid submission.</p> <p>Bid Security of all Bidders shall be returned after the contract is signed with the successful Bidder.</p>
12		Advanced Payment upon signing of contract	Not allowed

13		Liquidated Damages	To be imposed under the following conditions : <ul style="list-style-type: none"> · In case of the Contractor's non-performance or delay in completing the civil works as required by the work programme and the duration of works set at the ITB and in the contract, 1% (one percent) of the total contract amount per week of delay shall be paid by the Contractor to UNDP, as liquidated damages. · The Contractor will also ensure presence of its Civil Engineer on site at all times, in line with conditions of the contract. UNDP shall deduct 500 TRY per day for any absences its key personnel on site. · Once a deduction of 10% (ten percent) of the total contract amount has been reached, UNDP may consider termination of the contract.
14	F.37	Performance Security	Required <ul style="list-style-type: none"> · Amount: 10% of the total contract price. · Section 8: Form for Performance Security
15	C.17 C.17.2	Preferred Currency of Bid and Method for Currency conversion	Turkish Lira (TRY)
16	B.10.1	Deadline for submitting requests for clarifications/ questions	7 days before the deadline for submission of bids.
17	B.10.1	Contact Details for submitting clarifications/questions	<p>Focal Person in UNDP: Güray Balaban guray.balaban@undp.org</p> <p>Address: UNDP BM Binası Katar Cad. No:11 06610 Birlik/Çankaya/Ankara/Turkey</p> <p>Facsimile: Fax No. +90 312 496 1465</p> <p>UNDP shall respond only to inquiries sent to the attention of focal person through above fax number. In case requests for clarification/questions are sent to UNDP through other means without the name of the focal person, UNDP shall not be responsible.</p>
18	B.11.1	Manner of Disseminating Supplemental Information to the ITB and responses/clarifications to queries	Announcement in the following web sites: www.undp.org www.ungm.org www.un.org.tr www.tr.undp.org
19	D.23.3	No. of copies of Bid that must be submitted	Original : 1 (One) Copies : 1 (One)

			CD Copies [2] (copies of bid documents including Excel and word documents (Price Schedule,etc.))
20	D.23.1 b) D.23.2 D.24	Bid submission address	UNDP Reference: UNDP-TUR-ITB-PROJ(AKADP)2017/01 BM Binası Katar Cad. No:11 06610 Birlik/Çankaya/Ankara/Turkey
21	C.21.1 D.24	Deadline of Bid Submission	Date : 03.04.2017 Time : 17:00 hrs, local time (offset: UTC +3) The proposers shall make all arrangements and controls to ensure that their proposals are physically delivered to UN House, address of which is given in this ITB by the stated deadline. The proposers are free to make arrangements either for physical dispatch of their proposal or through courier companies, at their own risk. UNDP shall not be responsible for any late physical delivery of the proposals to UN House due to potential delays in courier companies, working/non-working days, official holidays, strikes, etc. Physical dispatch of the proposals to UN House is possible as there is a 7days/24hrs working security desk that will issue delivery receipts. Late proposals shall be rejected and returned unopened.
22	D.23.2	Manner of Submitting Bid	Courier/Hand Delivery to UN House, address of which is given above.
23	D.23.2 D.26	Conditions and Procedures for electronic submission and opening, if allowed	N/A
24	D.23.1 c)	Date, time and venue for opening of Bid	Date : 04.04.2017 Time : 10:00 hrs, local time (offset: UTC +3)
25		Award and Evaluation method to be used in selecting the most responsive Bid	Lowest price (Grand Total of Section 6 - Price Schedule Form) of technically qualified/responsive Bid
26	C.15.1	Required Documents that must be Submitted to Establish Qualification of Bidders	<ul style="list-style-type: none"> • Bid Security (as per Item 9 of the Data Sheet) • Schedule of Requirements and Technical Specifications • Price Schedule, in accordance with prescribed form in ITB Section 6 • Company Profile, which should not exceed fifteen (15) pages, including printed brochures and product catalogues relevant to the goods/services being procured • Copies of the trade name registration gazette and/or equivalent demonstrating the year of establishment and incorporation*,

			<ul style="list-style-type: none"> • Official Letter of Appointment as local representative, if Bidder is submitting a Bid on behalf of an entity located outside the country • Power of Attorney, Circular of Signature/ Signature Specimen* • Quality Certificate (e.g., ISO, etc.) and/or other similar certificates, accreditations, awards and citations received by the Bidder, if any • All information regarding any past and current (2017) litigation during the last five (5) years, in which the bidder is involved, indicating the parties concerned, the subject of the litigation, the amounts involved, and the final resolution if already concluded. • Latest Audited Financial Statement (Income Statement and Balance Sheet) including Auditor's Report for the past 3 years [2014, 2015, 2016] • Other documentation indicated in DS28. * In "Certified True Copy" form only
27		Other documents that should be Submitted to Establish Eligibility	<ul style="list-style-type: none"> • Copies of the trade name registration gazette and/or equivalent demonstrating the year of establishment and incorporation*, • Bidder Information Form • * In "Certified True Copy" form only
28	C.15	Structure of the Technical Bid and List of Documents to be Submitted	<p>Technical bid shall contain the following documents;</p> <ul style="list-style-type: none"> • Bid Submission Form (see ITB Section 4); • Documents Establishing the Eligibility and Qualifications of the Bidder (see ITB Section 5), with the documents listed in item 26 of this Data Sheet. • Price Schedule Form (see prescribed form in ITB Section 6) • Form for Bid Security (see ITB Section 7); • Form 1.1 : Statement of Declaration • Form 1.1.4 : History Of Non-Performance and Litigation • Form: 1.2.1: Single Similar Work Experience • Form: 1.2.2: Total Similar Work Experience • Form 1.3.1 : Financial Resources • Form: 1.3.2 : Financial Strength • Form: 2.2.3 : Time Plan • Form: 3.1 : List of Proposed Key Personnel • Form: 3.1.x : CV Templates <p>Power of Attorney, Circular of Signature / Signature Specimen</p>
29	C.15.2	Expected date for commencement of Contract	April 2017
30	C.15.2	Maximum Expected duration of contract	<u>150 Calendar days upon signature</u>

31		UNDP will award the contract to:	The Bidder who quote the lowest price in full compliance with the required technical specifications in the ITB, and who meets the eligibility and qualifying criteria set forth in this ITB.
32	F.34	Criteria for the Award and Evaluation of Bid	<p><u>Award Criteria</u></p> <ul style="list-style-type: none"> • Prior to expiration of the period of Bid validity, UNDP shall award the contract to the qualified and eligible Bidder that is found to be responsive to the requirements of the Schedule of Requirements and Technical Specification, and has offered the lowest price. (Grand Total of Consolidated Price Schedule) <p><u>Bid Evaluation Criteria¹</u> Having satisfied all eligibility requirements listed in Section DS4 (Minimum Qualifying Criteria)</p> <ul style="list-style-type: none"> • Full compliance of Bid to the Technical Requirements; • Qualification of all other personnel to be assigned to the contract
33	E.29	Post qualification Actions	N/A
34		Conditions for Determining Contract Effectivity	Upon satisfaction of all two conditions below: 1-UNDP's receipt of Performance Security 2-Signature of contract by both parties
35		Site visit	<p>The bidders are advised to visit and investigate the Site and its surroundings and obtain for itself on its own responsibility all information that may be necessary for preparing the bid and entering into a contract for construction of Upland Corrals. The costs of visiting the Site shall be at the bidder's own expense.</p> <p><i>The Contractor shall not be entitled to any payment over and above its bid price during contract implementation, due to reasons that come out as a result of the Contractor's failure to conduct a site visit prior to submitting its bid.</i></p>
36		Engineer	The UNDP's contracted Engineer(s) with delegated authority shall serve for the "Engineer" role as defined in "General Conditions of Contract for Civil Works"
37		Valued Added Tax (VAT)	<p>Bidders shall take into account the following issues, while preparing their bids;</p> <p>UN and its subsidiary organs are exempt from taxes. It is the Bidder's responsibility to learn from relevant authorities (Ministry of Finance) and/or to review and confirm published procedures and to consult with a certified financial consultant</p>

¹ Pls. reconcile and ensure consistency with the contents of the Technical Specifications

			as needed to conform the scope and procedures of VAT exemption application as per all related laws and legislation on VAT.
38		Payment	<ol style="list-style-type: none"> 1) Payment shall be realized in TRY if the successful Bidder is established and operating in Turkey. Otherwise, the payments shall be effected in US\$ through conversion of the TRY amount to US\$ by the official UN exchange rate, valid on the date of money transfer. 2) After completion of each month, the Contractor shall submit, , a monthly progress payment certificate which shall contain the actual quantities completed / constructed within the reporting period. This monthly progress payment certificate shall be certified and approved by the Engineer. UNDP shall effect the payment to the Contractor after the certification/approval of monthly progress payment certificate

Section 3: Schedule of Requirements and Technical Specifications

3.1. PLACES OF THE WORK (71 VILLAGES)

PROVINCE	DISTRICT	VILLAGE	LENGTH OF FENCES (m)	DISTANCE of UPLAND to VILLAGE (km)	PROVINCE	DISTRICT	VILLAGE	LENGTH OF FENCES (m)	DISTANCE of UPLAND to VILLAGE (km)
ARDAHAN	Merkez	Ağzipek	160	10	ARDAHAN	Damal	İkizdere	140	5
		Büyüksütlüce	140	0			Seyitören	120	3
		Çamlıçatak	160	8			Balçesme	180	2
		Çataldere	180	6		Dengeli	160	1	
		Çatalköprü	140	3		Duraçam	140	1	
		Çeğilli	340	10		Esenyayla	120	2	
		Çetinsu	240	8		Filizli	140	1	
		Değirmenli	160	3		Köprülü	340	4	
		Ovapınar	100	5		Dedeşen	100	5	
		Ölçek	240	6		Küçükaltunbulak	160	1	
		Sulakyurt	380	3		Uğurtaş	100	2	
		Taşlıdere	160	1		Yağmuroğlu	100	4	
		Tazeköy	120	3		Yavuzlar	100	4	
		Tepeler	220	7		Yenidemirkapı	100	1	
		Yalnızçam	160	8		Yiğitkonağı	120	1	
	Yalnızçamhasköy	120	0	Arpaçay	Atçılar	160	5		
	Çıldır	Aşağıcanbaz	200		15	Gediksatılmış	260	5	
		Baltalı	160		5	Gülyüzü	280	8	
		Eskibeyrehatun	200		2	Kümbet	240	22	
		Eşmepınar	160		28	Okçuoğlu	240	12	
		Gölebakan	220		15	Taşdere	240	4	
		Güvenocak	200	15	Kağızman	Akçay	200	4	
		Kenarbel	160	13		Çayarası	200	10	
		Meryem	160	5		Kötek	240	4	
		Sazlısu	180	10	Sarıkamış	Altınbulak	200	5	
		Yıldırımtepe	160	10		Belencik	240	7	
	Posof	Aşıkzülali	140	4		İnkaya	400	4	
		Baykent	160	10		Karaorgan	260	4	
		Kol	180	5	Koroğlu	200	5		
	Çermik	160	9	Selim	Kırkpınar	200	3		
	Yeniköy	140	13		Yusuferdanuç	Geçitli	220	5	
	Hanak	Dilekdere	140	6		Güleş	260	5	
		İncedere	240	7	İşhan	160	8		
		Oğuzyolu	280	0	Kirazalan	100	10		
		Ortakent	200	40	Şavşat	Hanlı-Karaağaç	160	12	
				Ilıca-Şenköy		160	4		

3.2. DESCRIPTION OF THE WORK

These specifications are the construction specifications of the clustering and protective fences to be erected in the plateaus (summer pastures) of villages in order to respond to the needs in 71 villages selected by the Provincial Directorates of Food, Agriculture and Livestock under Ardahan-Kars-Artvin Development Project (AKADP).

3.3. GENERAL SPECIFICATION

- Under this tender, no transportation cost for any construction shall be paid (transport for material supply and horizontal or vertical transport in the facility etc.).
- List of Worker Team and Equipment:
 - 5 Fence Works Teams (each team shall consists of at least 2 skilled workers and 4 plain workers)
 - 1 Iron Works and Welding Team (this team shall consists of at least 2 skilled workers and 4 plain workers)
 - 1 JCB Type Backhoe Loader
 - 2 Small Lorries
 - 2 Welding Machines
 - 1 Water Tanker
- For each location (village), a signboard as indicated on its design project (as provided in the annex to these specifications) shall be placed. No payment shall be made for the signboard.
- The contractor shall inform the Supervision engineer before it starts the material constructions in the factory or workshop. Material checks shall be effected in the factory at times as deemed appropriate by the control engineer. Materials not deemed appropriate by the control engineer shall not be used in the construction.
- All the painting phases (preparatory, anti-corrosion layer and synthetic painting) of profile constructions in the factory shall be photographed and submitted to the control engineer.
- The contractor shall, before starting the work, submit to the control engineer the TSE and quality certificates of all materials to be used in the construction.
- The contractor shall not claim a separate charge for excavation difficulties and transports.

3.4. SPECIAL TECHNICAL SPECIFICATIONS

Concrete Pole Supported Wire Fence

Concrete Poles

Poles shall be placed in the pits of 50x50x40 cm at a distance of 2.50 m from axis to axis. Stanchioned poles in pairs shall be erected with reinforcement at the corner points of the land and at such positions as designated by the control engineer at every 20 to 30 m along the fence. For stanchioned poles, pits of 60x60x50 cm shall be dug.

Wire Mesh

The construction and installation of the wire mesh shall be made by galvanized wire mesh of 3 mm in thickness and 5x5 cm interstices and tensioned by guy wires of 3 mm in thickness in 3 levels (bottom, middle and top). Starting from the top of the top guy wire, 2 lines of galvanized barbed wire shall be laid.

Payment

- All spaces of gates shall be subtracted from the payment. The payment shall be made from position 23.260/IB-1.
- The prices of the pen's entry gate and of the paddock entry gate shall be separately paid from positions 14.001, Y.16.050/04, Y.23.176, Y.25.002/02.
- No separate payment shall be made for the footing excavations to be made for the construction of concrete pole supported wire fence and for the concrete of 250 dose that will be poured into the pits to anchor the poles.

Pen's Entry Gate

For the pen's entry, a door of the type and dimensions indicated in the design project shall be installed in its place; and a flap lock and a padlock shall be installed.

Payment

- The payment shall be made from position Y.23.176.
- The payment for the painting of the section irons used in the gate construction shall be made from position Y.25.002/02.
- Separate payments shall be made for the excavations and concrete works for the stanchion and kingpost constructions. The payment shall be from positions 14.001 and Y.16.050/04. No separate payment shall be made for the form works to be used in the concrete works.
- No separate payment shall be made for wire mesh to cover the gate surface and locks.

Crowding Structure

Race structures shall be built in order to facilitate the forcing of animals into paddocks as indicated in the design projects for the animals in the pens to receive veterinary services. Animals coming from the pens shall enter the race structure, then be sorted one by one into the paddock.

The race structure shall be built by welding 3 lines of galvanized annular sections of 43.3 mm in diameter and 2.5 m in length to the kingposts made of 60x60x3 mm galvanized box sections at the measures and spaces as designated in the design project at a number of 5 to 10 depending on the ground structure and the position of the paddock entry, up to the point as specified by the control engineer in the field. The kingposts shall be fixed by anchoring in the concrete of 40 cm at 2.5 m intervals from axis to axis in the pits of 50x50x50 cm prepared in advance. The measures of railings shall be photographed before insertion and submitted to the control engineer for approval.

Payment

- The payment shall be made from position Y.23.176
- The payment for the painting of the section irons used in the race structure construction shall be made from position Y.25.002/02

- Separate payments shall be made for the excavations and concrete works to anchor the race structure constructions. The payment shall be from positions 14.001 and Y.23.176. No separate payment shall be made for the form works to be used in the concrete works.

Race Structure

A paddock shall be constructed as indicated in the design project for the animals in the pens to receive veterinary services. Animals coming from the race structure shall be handled one by one at the paddock (handling area), then released into the pasture.

- **Gate Leading to Paddock:** Both wings of the double-wing gate that leads to the paddock shall open 180° towards the interior of the pen to fully close onto the wire fence as indicated in its design project.
- **Forcing Structure:** To move the animals to the handling area slowly, a structure in the form of a funnel shall be constructed with both sides covered by sheet metal. The floor of the forcing structure shall be made of rough concrete of 10 cm in thickness to prevent the animals from slipping.
- **Flap Lock Gate:** A sliding gate shall be placed to take animals coming from the forcing structure to the cage compartment. A handle shall be welded onto the gate to open and close the gate.
- **Cage Compartment:** The cage shall be constructed of pipes and in dimensions of 80x210 cm. The floor of the cage compartment shall be made of rough concrete of 10 cm in thickness to prevent the animals from slipping.
- **Head Gate:** A gate with lower part covered by sheet metal shall be installed at the exit of the cage compartment to prevent the animals moving out of the cage. A side-sliding bar shall be placed to open the gate. In front of the cage compartment (at the exit of the head gate), rough concrete of 10 cm in thickness and 100x100 cm in dimensions shall be built to prevent the animals from slipping.

Payment

- The payment shall be made from position Y.23.176.
- The payment for the painting of the section and sheets irons used in the paddock construction shall be made from position Y.25.002/02.
- Separate payments shall be made for the excavations and concrete works to anchor the paddock constructions. The payment shall be from positions 14.001 and Y.16.050/04. No separate payment shall be made for the form works to be used in the concrete works.
- Tops of the vertical pipes in the paddock shall be welded and closed.
- No separate payment shall be made for the wire mesh to be used to cover the surface of the paddock entry gate, flap lock gate slide and locks of the head gates.

Scratching Post Constructions

A scratching post shall be constructed as indicated in the design project at a location around or inside the pen as specified by the control engineer. Steel wires (2x4 pieces) shall be anchored to the ground. The steel wire shall be passed through the hole in the top section of the pipe and led into the ground, and be constructed in the form of double winding 6 Ø.

Payment

- . The payment shall be made from position Y.23.176.
- The payment for the painting of the pipe construction shall be made from position Y.25.002/02.
- Separate payments shall be made for the excavations and concrete works for the scratching post constructions. The payment shall be from positions 14.001 and Y.16.050/04. No separate payment shall be made for the form works to be used in the concrete works.
- No separate payment shall be made for the steel wire, installation of the wire onto the post, and anchoring to the ground.

Identification Signboard

- The signboard shall be hung on the wire fence and fixed to the wire mesh; and be in dimensions of 140 x 210 cm.
- The outer surface of the signboard shall be of composite material.
- Section irons shall be used as necessary to fix the signboard, and the contractor shall not claim payment for that.
- Painting and printing shall be made by outdoor digital printing system.

Section 4: Bid Submission Form²

(This should be written in the Letterhead of the Bidder. Except for indicated fields, no changes may be made in this template.)

ANKARA

4/3/2017

To: United Nations Development Programme
Birlik Mah. Katar. Cad. No:11 Cankaya/Ankara/Turkey
Attention: Güray Balaban, Civil Works Procurement and Contracts Officer

Dear Sir/Madam:

We, the undersigned, hereby offer to supply the goods and related services required for Construction of Upland Corrals in accordance with your Invitation to Bid dated **16.03.2017**. We are hereby submitting our Bid, which includes the Technical Bid and Price Schedule.

We hereby declare that :

- a) All the information and statements made in this Bid are true and we accept that any misrepresentation contained in it may lead to our disqualification;
- b) We are currently not on the removed or suspended vendor list of the UN or other such lists of other UN agencies, nor are we associated with, any company or individual appearing on the 1267/1989 list of the UN Security Council;
- c) We have no outstanding bankruptcy or pending litigation or any legal action that could impair our operation as a going concern; and
- d) We do not employ, nor anticipate employing, any person who is or was recently employed by the UN or UNDP.

We confirm that we have read, understood and hereby fully accept the Schedule of Requirements and Technical Specifications describing the duties and responsibilities required of us in this ITB, and the General Terms and Conditions of UNDP's Standard Contract for this ITB.

We agree to abide by this Bid for 60 days. We undertake, if our Bid is accepted, to initiate the supply of goods and provision of related services not later than the date indicated in the Data Sheet. We fully understand and recognize that UNDP is not bound to accept this Bid, that we shall bear all costs associated with its preparation and submission, and that UNDP will in no case be responsible or liable for those costs, regardless of the conduct or outcome of the evaluation.

We remain,
Yours sincerely,

Date :
Signature and Stamp :
Name and Last Name :
Title :
Bidder's Legal Title :

² No deletion or modification may be made in this form. Any such deletion or modification may lead to the rejection of the Bid.

Section 5: Documents Establishing the Eligibility and Qualifications of the Bidder

Bidder Information Form³

Date: *[insert date (as day, month and year) of Bid Submission]*

ITB No.: UNDP-TUR-ITB-PROJ(AKADP)2017/01

Page _____ of _____ pages

1. Bidder's Legal Name		
2. In case of Joint Venture (JV), legal name of each party: <i>[insert legal name of each party in JV]</i> Not applicable.		
3. Actual or intended Country/ies of Registration/Operation: <i>[insert actual or intended Country of Registration]</i>		
4. Year of Registration in its Location: <i>[insert Bidder's year of registration]</i>		
5. Countries of Operation	6. No. of staff in each Country	7. Years of Operation in each Country
8. Legal Address/es in Country/ies of Registration/Operation: <i>[insert Bidder's legal address in country of registration]</i>		
9. Value and Description of Top three (3) Biggest Contract for the past five (5) years		
10. Latest Credit Rating (Score and Source, if any)		
11. Brief description of litigation history (disputes, arbitration, claims, etc.), indicating current status and outcomes, if already resolved.		
12. Bidder's Authorized Representative Information Name: <i>[insert Authorized Representative's name]</i> Address: <i>[insert Authorized Representative's Address]</i> Telephone/Fax numbers: <i>[insert Authorized Representative's telephone/fax numbers]</i> Email Address: <i>[insert Authorized Representative's email address]</i>		
13. Are you in the UNPD List 1267.1989 or UN Ineligibility List ? (Y / N) Link for checking: http://www.un.org/sc/committees/1267/		
14. Attached are copies of original documents of: <ul style="list-style-type: none"> • All eligibility document requirements listed in the Data Sheet • The document(s) (e.g. trade registration gazette or equivalent etc.) that prove(s) the constitution of the Company named as the Bidder, above. • The document(s) (e.g. trade registration gazette or equivalent etc.) that demonstrate(s) change(s) (i.e. title, address, shareholding structure) and current status of the Company, named as the Bidder, above. • Signature Circular and/or Power of Attorney, demonstrating authority to sign on behalf of the Bidder, certified by the notary public. 		

³ The Bidder shall fill in this Form in accordance with the instructions. Apart from providing additional information, no alterations to its format shall be permitted and no substitutions shall be accepted.

Section 6: Price Schedule Form⁴

The Bidder is required to prepare the Price Schedule as indicated in the Instruction to Bidders.

No	Item No	Description	Unit	Quantity (A)	Unit Price* (TRY) (B)	Total Price* (TRY) (A) x (B)
1	14.001	Manual excavation of soft soil (top soil and loose , loose silt, sand and other grounds)	m ³	250		
2	Y.16.050/04	Manufactured in concrete plant or bought and pumped with concrete pump ,pouring C 20/25 compressive strength class	m ³	300		
3	Y.23.176	Making and placing various ironworks with metal sheets and	kg	67.000		
4	23.260/İB-1	Wired fence 2.63 m with concrete poles	m	13.200		
5	Y.25.002/02	Dyeing iron surfaces with double anti-rust and double synthetic dye.	m ²	3.300		
GRAND TOTAL (TRY)*						

* Unit prices shall be quoted inclusive of costs (e.g. transportation, workmanship etc.) UNDP will not make any additional payments to the contractor.

**UN and its subsidiary organs are exempt from taxes. It is the Bidder's responsibility to learn from relevant authorities (Ministry of Finance) and/or to review and confirm published procedures and to consult with a certified financial consultant as needed to conform the scope and procedures of VAT exemption application as per all related laws and legislation on VAT.

1. All prices shall be quoted in Turkish Lira (TRY)
2. Each item listed in the Price Schedule, being based on the Bill of Quantities, shall be inclusive of all other costs (that are not costed through BOQ) whether direct and indirect nature associated with the satisfactory completion of each work item in accordance with Statement of Works/Technical Drawings and in overall in accordance with the Conditions of Contract.
3. The unit prices to be quoted shall be firm and final during the validity of the contract. The Contractor will not be entitled to receive any price difference due to changes in market conditions and/or prices.

Date :

Signature and Stamp :

Name and Last Name :

Title :

Bidder's Legal Title :

⁴ No deletion or modification may be made in this form. Any such deletion or modification may lead to the rejection of the Bid.

Section 7: FORM FOR BID SECURITY

***(This must be finalized using the official letterhead of the Issuing Bank.
Except for indicated fields, no changes may be made in this template.)***

To: UNDP
BM Binası Katar Cad. No:11 06610
Birlik/Çankaya/Ankara/Turkey

WHEREAS [*name and address of Contractor*] (hereinafter called “the Bidder”) has submitted a Bid to UNDP dated , to deliver goods and execute related services for UNDP-TUR-ITB-PROJ(AKADP)2017/01 (hereinafter called “the Bid”):

AND WHEREAS it has been stipulated by you that the Bidder shall furnish you with a Bank Guarantee by a recognized bank for the sum specified therein as security in the event that the Bidder:

- a) Fails to sign the Contract after UNDP has awarded it;
- b) Withdraws its Bid after the date of the opening of the Bid;
- c) Fails to comply with UNDP’s variation of requirement, as per ITB Item 33; or
- d) Fails to furnish Performance Security, insurances, or other documents that UNDP may require as a condition to rendering the contract effective.

AND WHEREAS we have agreed to give the Bidder such this Bank Guarantee:

NOW THEREFORE we hereby affirm that we are the Guarantor and responsible to you, on behalf of the Bidder, up to a total of [*amount of guarantee*] [*in words and numbers*], such sum being payable in the types and proportions of currencies in which the Price Bid is payable, and we undertake to pay you, upon your first written demand and without cavil or argument, any sum or sums within the limits of [*amount of guarantee as aforesaid*] without your needing to prove or to show grounds or reasons for your demand for the sum specified therein.

This guarantee shall be valid until 30 days after the date of validity of the bids.

SIGNATURE AND SEAL OF THE GUARANTOR BANK

Date:
Name of Bank:
Address:

Section 8: FORM FOR PERFORMANCE SECURITY⁵

“FOR INFORMATION PURPOSES ONLY”

***(This must be finalized using the official letterhead of the Issuing Bank.
Except for indicated fields, no changes may be made in this template.)***

To: UNDP
BM Binası Katar Cad. No:11 06610
Birlik/Çankaya/Ankara/Turkey

WHEREAS [*name and address of Contractor*] (hereinafter called “the Contractor”) has undertaken, in pursuance of Contract No. dated, to deliver the goods and execute related services (hereinafter called “the Contract”):

AND WHEREAS it has been stipulated by you in the said Contract that the Contractor shall furnish you with a Bank Guarantee by a recognized bank for the sum specified therein as security for compliance with his obligations in accordance with the Contract:

AND WHEREAS we have agreed to give the Contractor such a Bank Guarantee:

NOW THEREFORE we hereby affirm that we are the Guarantor and responsible to you, on behalf of the Contractor, up to a total of [*amount of guarantee*] [*in words and numbers*], such sum being payable in the types and proportions of currencies in which the Contract Price is payable, and we undertake to pay you, upon your first written demand and without cavil or argument, any sum or sums within the limits of [*amount of guarantee as aforesaid*] without your needing to prove or to show grounds or reasons for your demand for the sum specified therein.

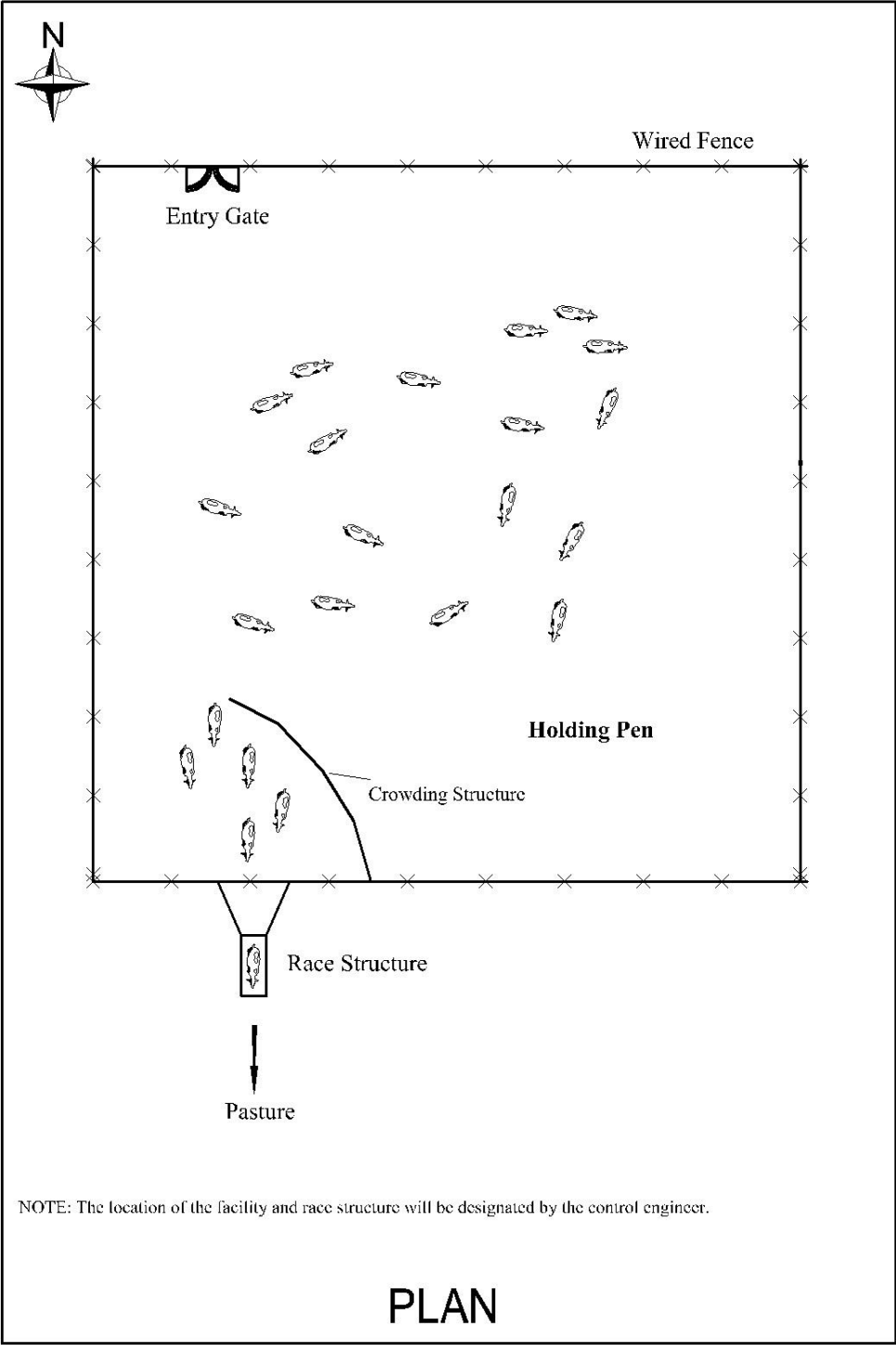
This guarantee shall be valid until a date 30 days from the date of issue by UNDP of a certificate of satisfactory performance and full completion of services by the Contractor.

SIGNATURE AND SEAL OF THE GUARANTOR BANK

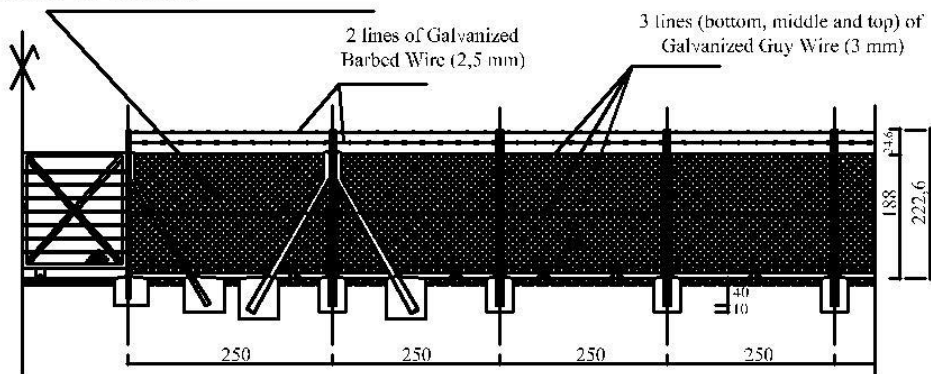
Date:
Name of Bank:
Address:

⁵ If the ITB requires the submission of a Performance Security, which shall be made a condition to the signing and effectivity of the contract, the Performance Security that the Bidder’s Bank will issue shall use the contents of this template

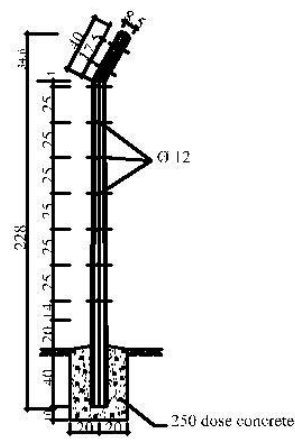
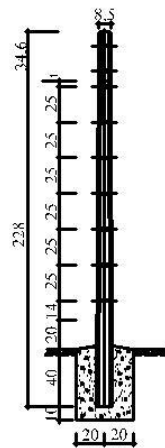
Section 9: Technical Drawings



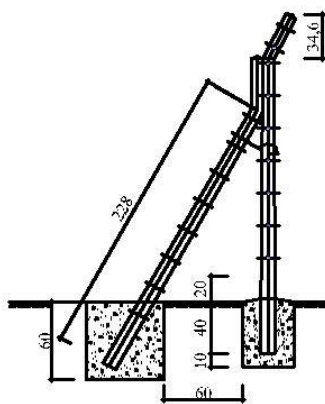
Galvanized Wire Mesh of 3 mm in thickness and 5x5 cm interstices



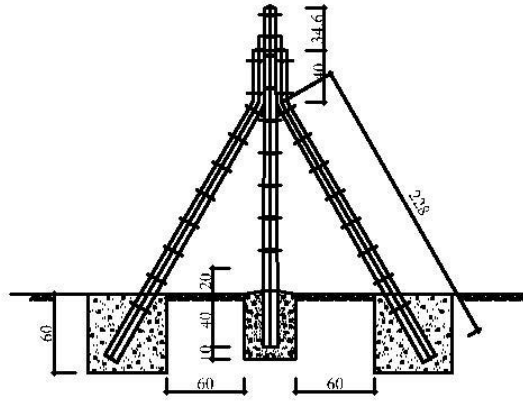
Concrete Pole Supported Wire Fence



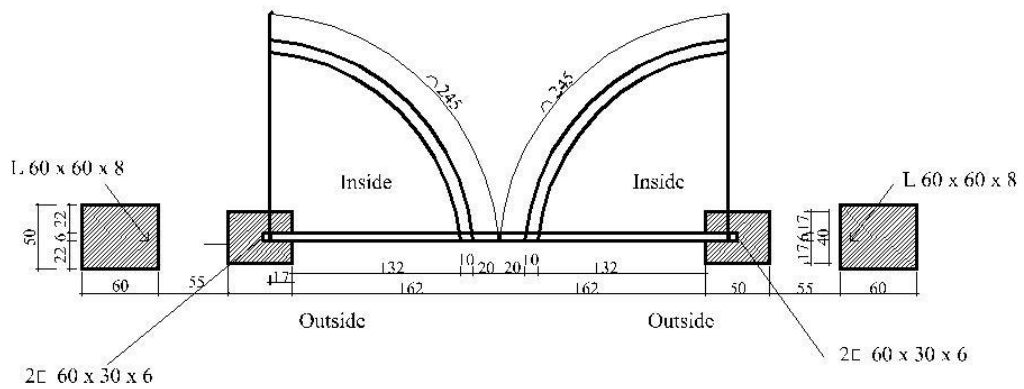
Line Post



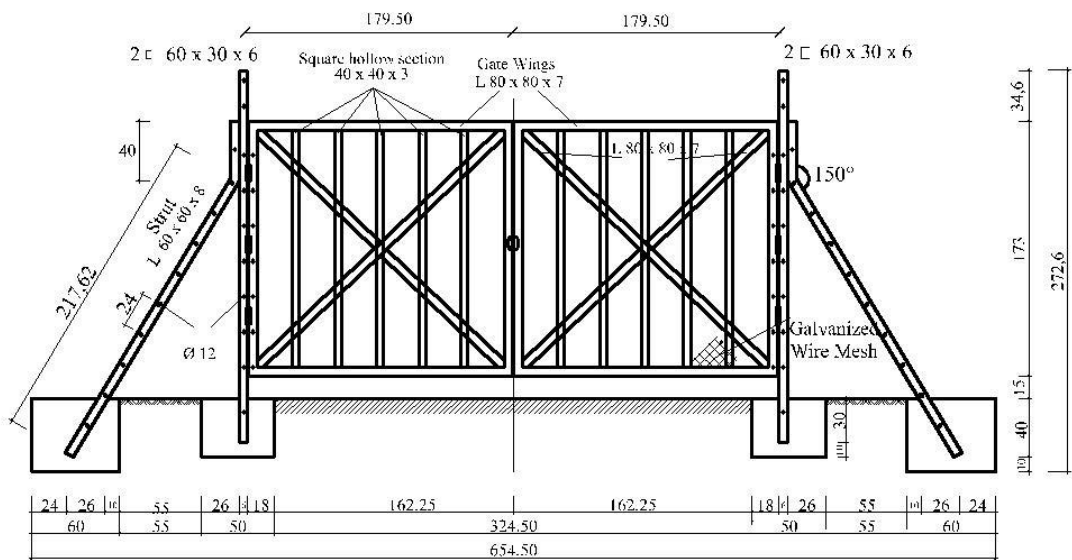
Strut Post



Corner Post

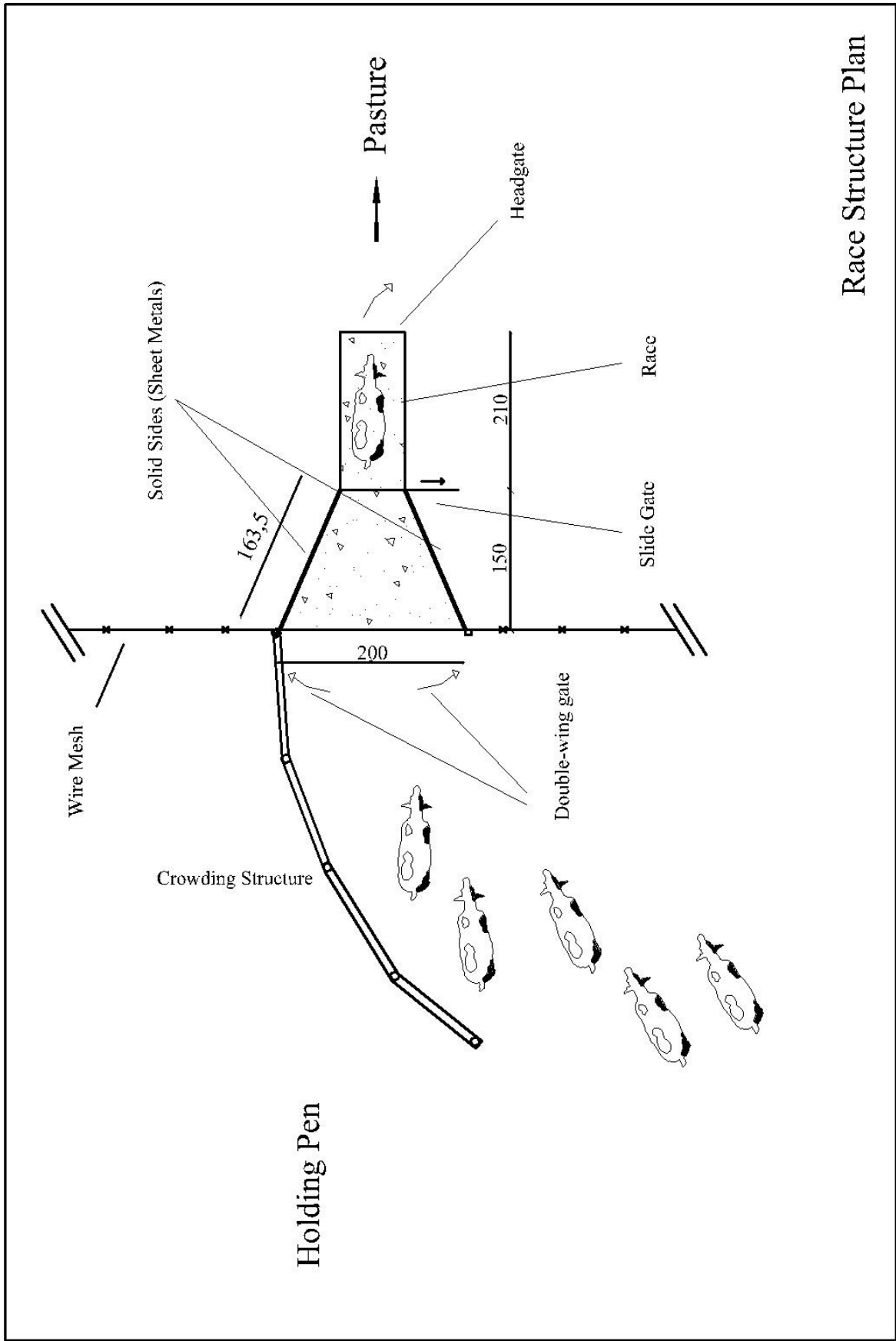


Entry Gate Plan

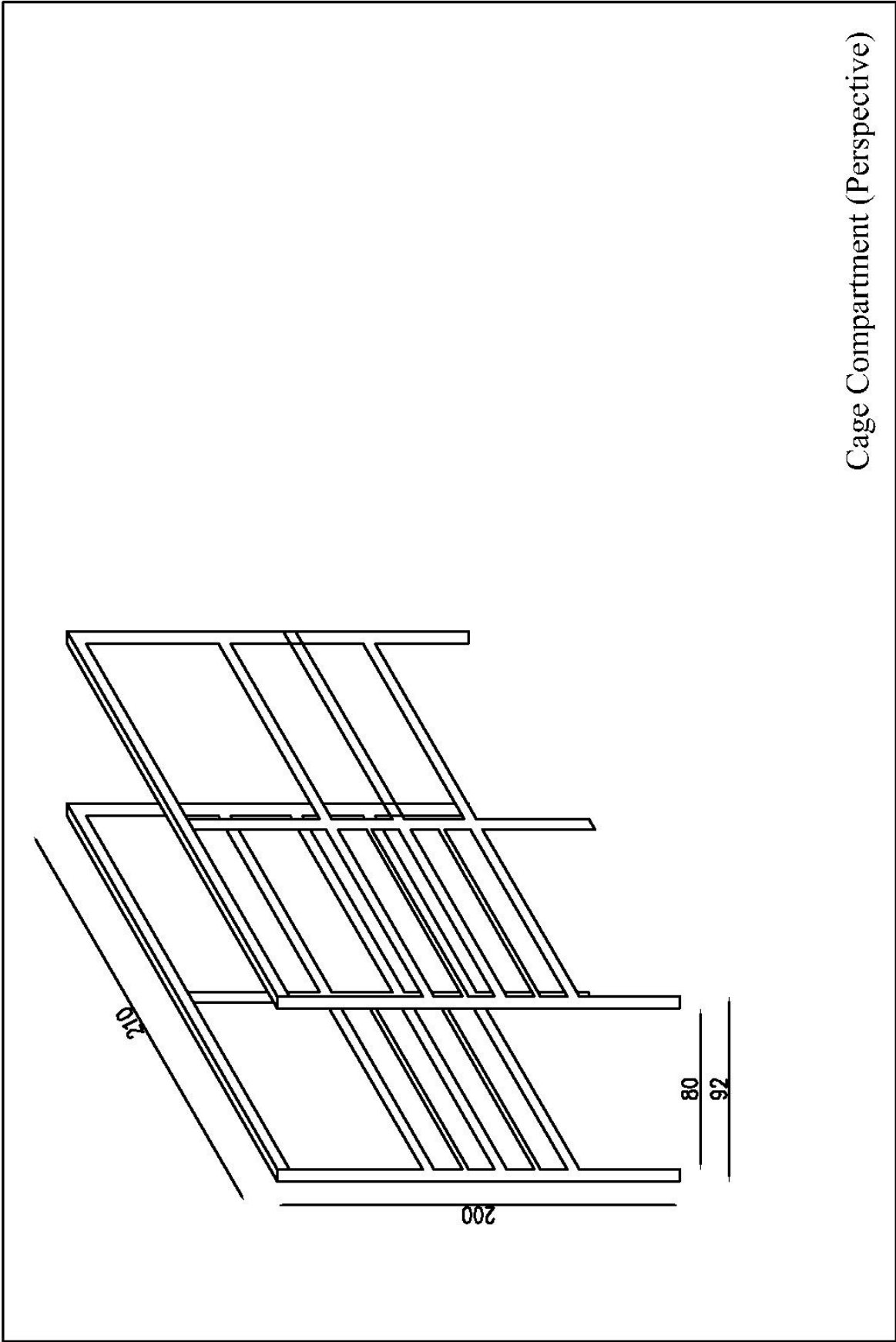


Note: Flap lock and a padlock shall be installed

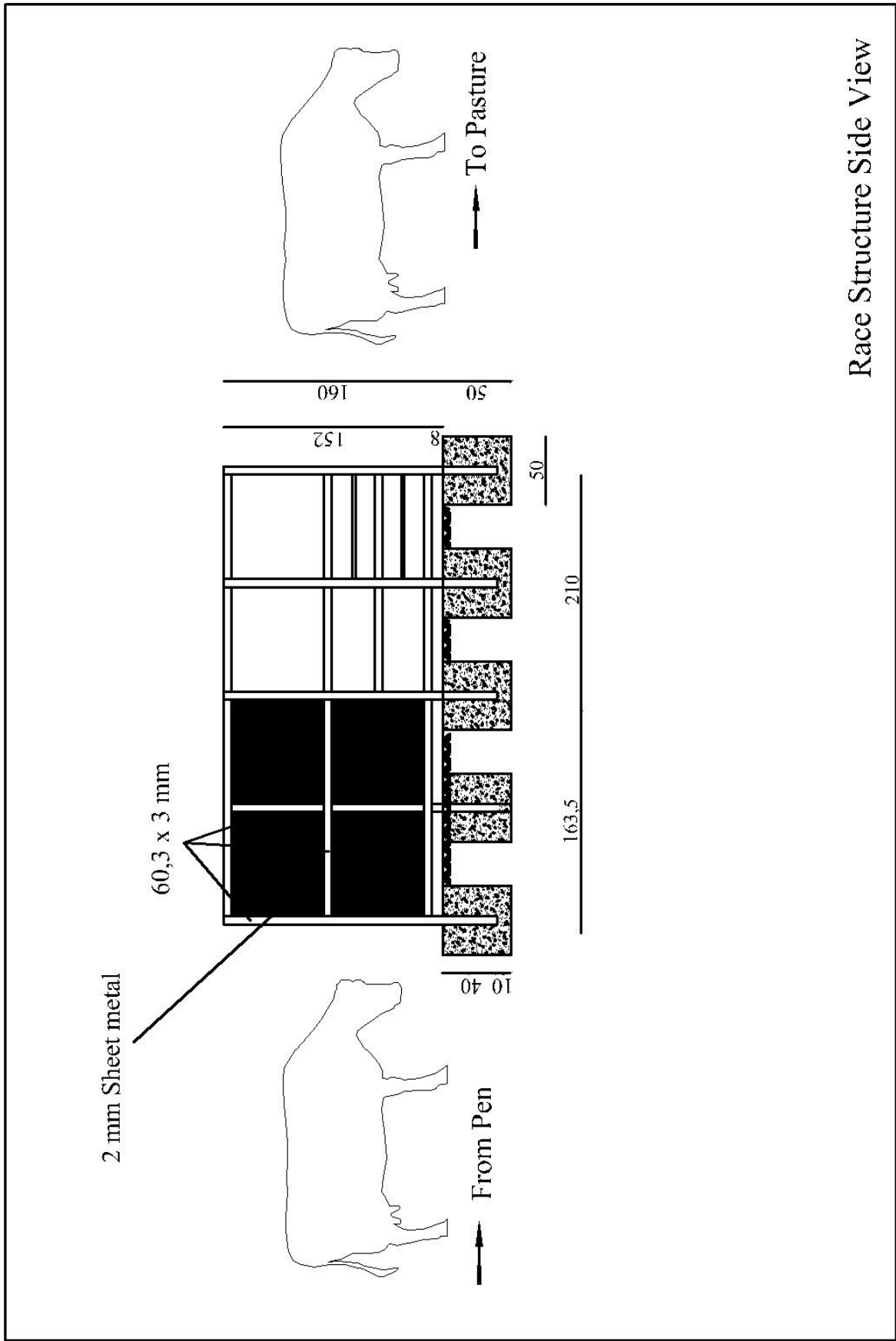
Entry Gate Front View



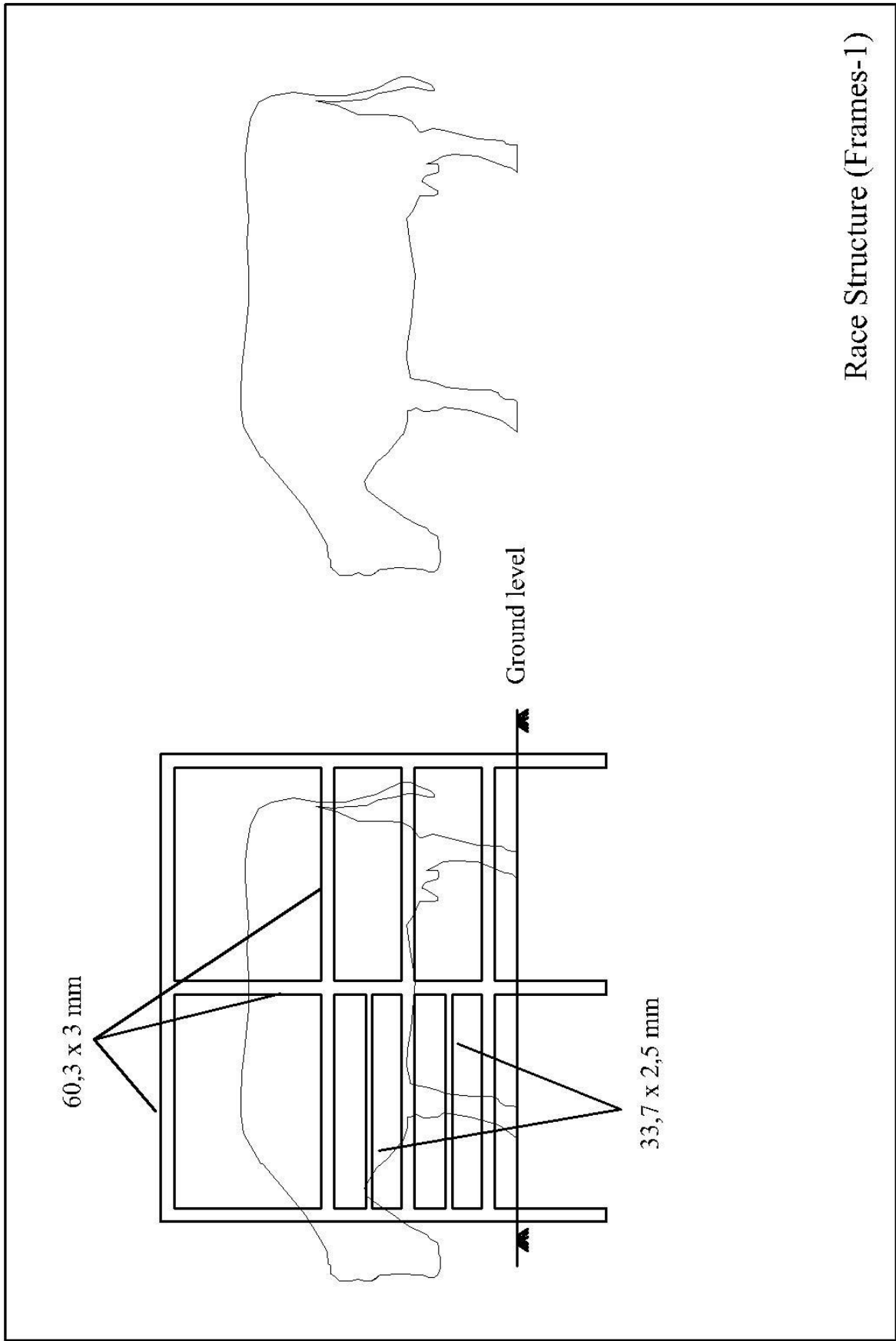
Race Structure Plan



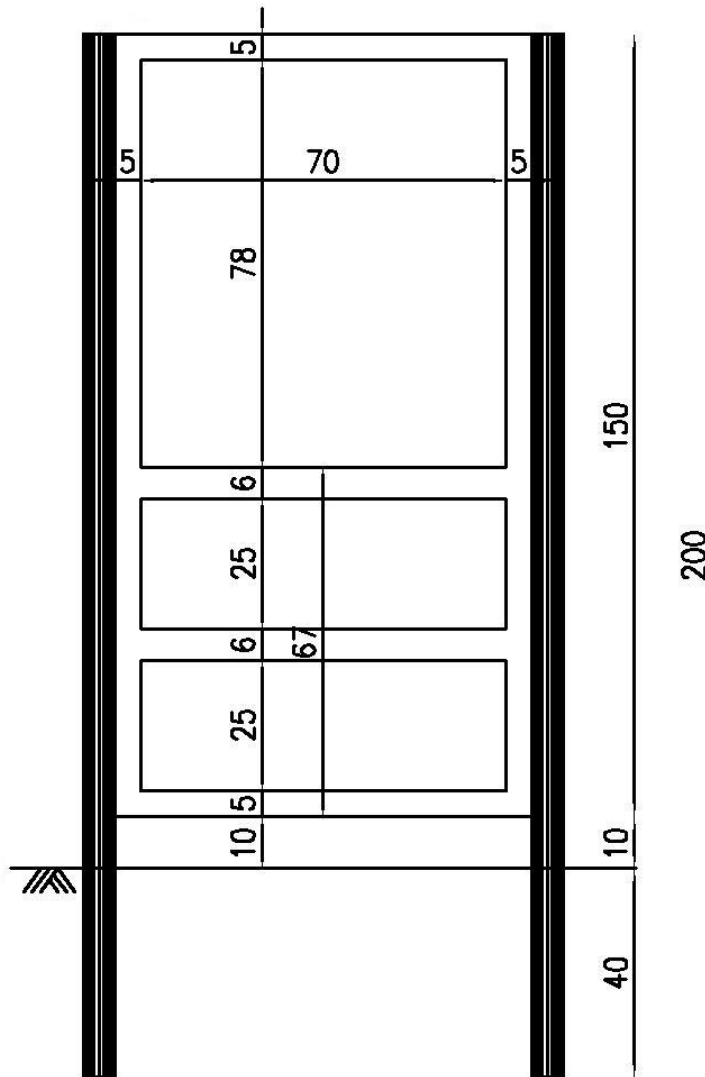
Cage Compartment (Perspective)



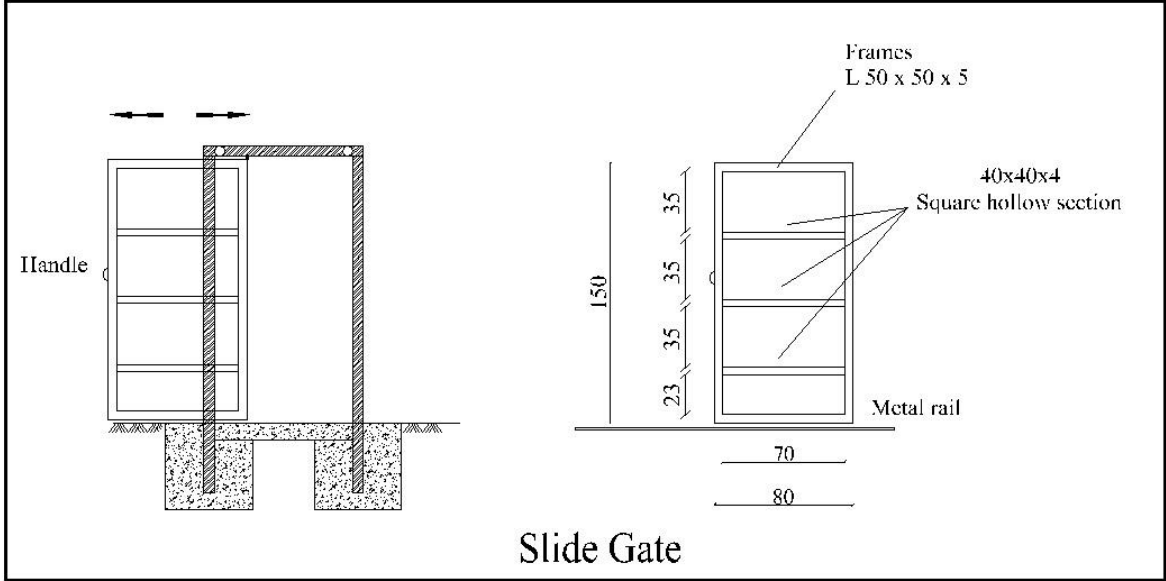
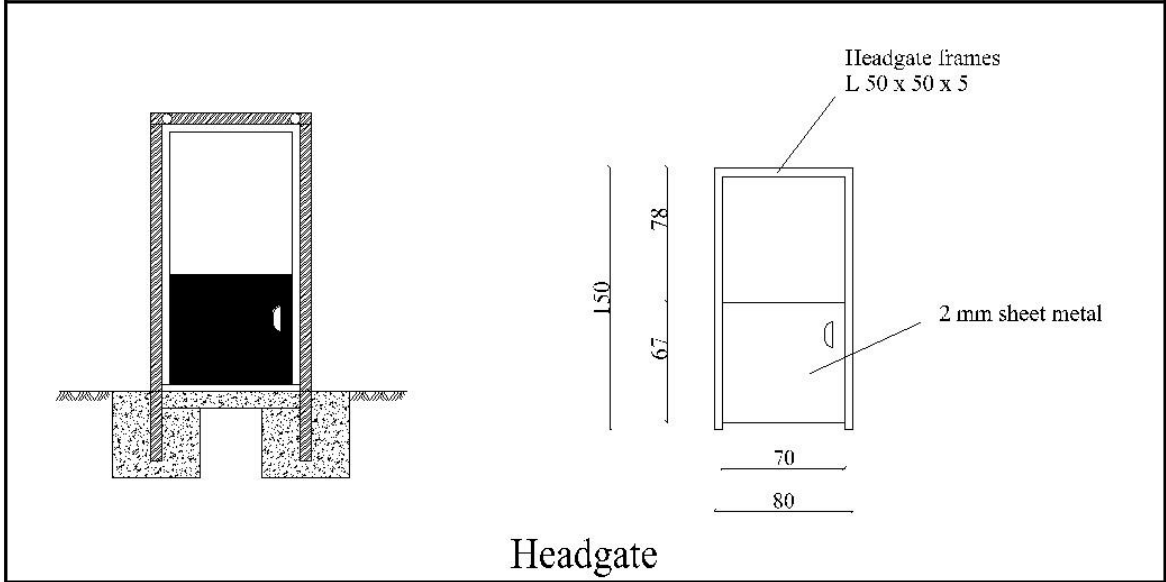
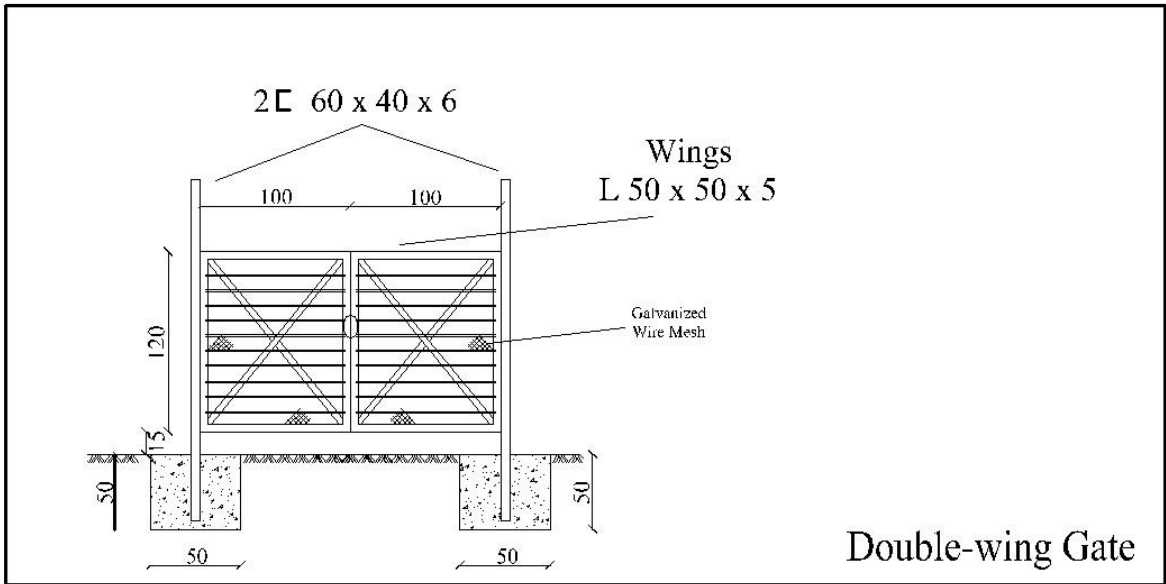
Race Structure Side View

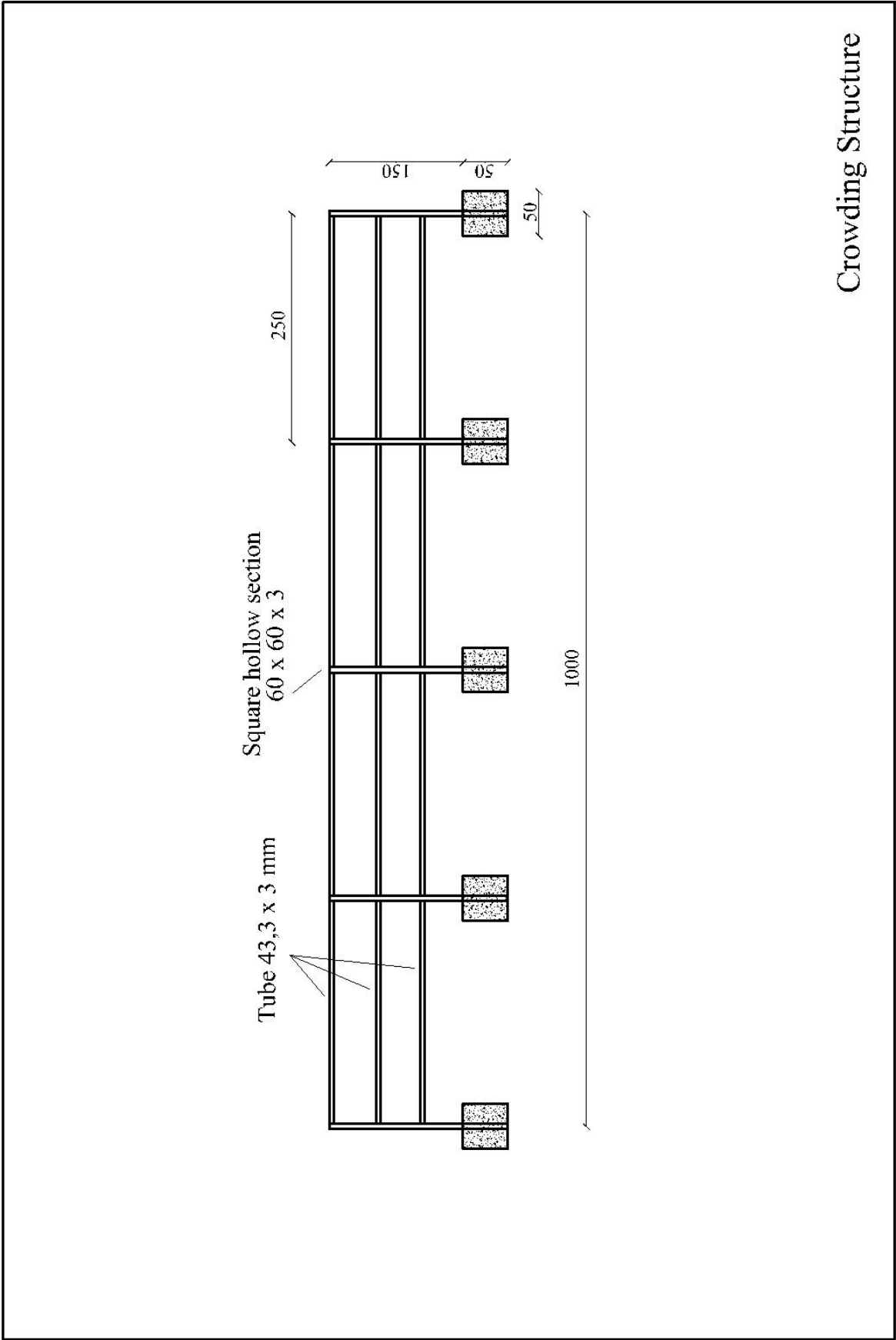


Race Structure (Frames-1)

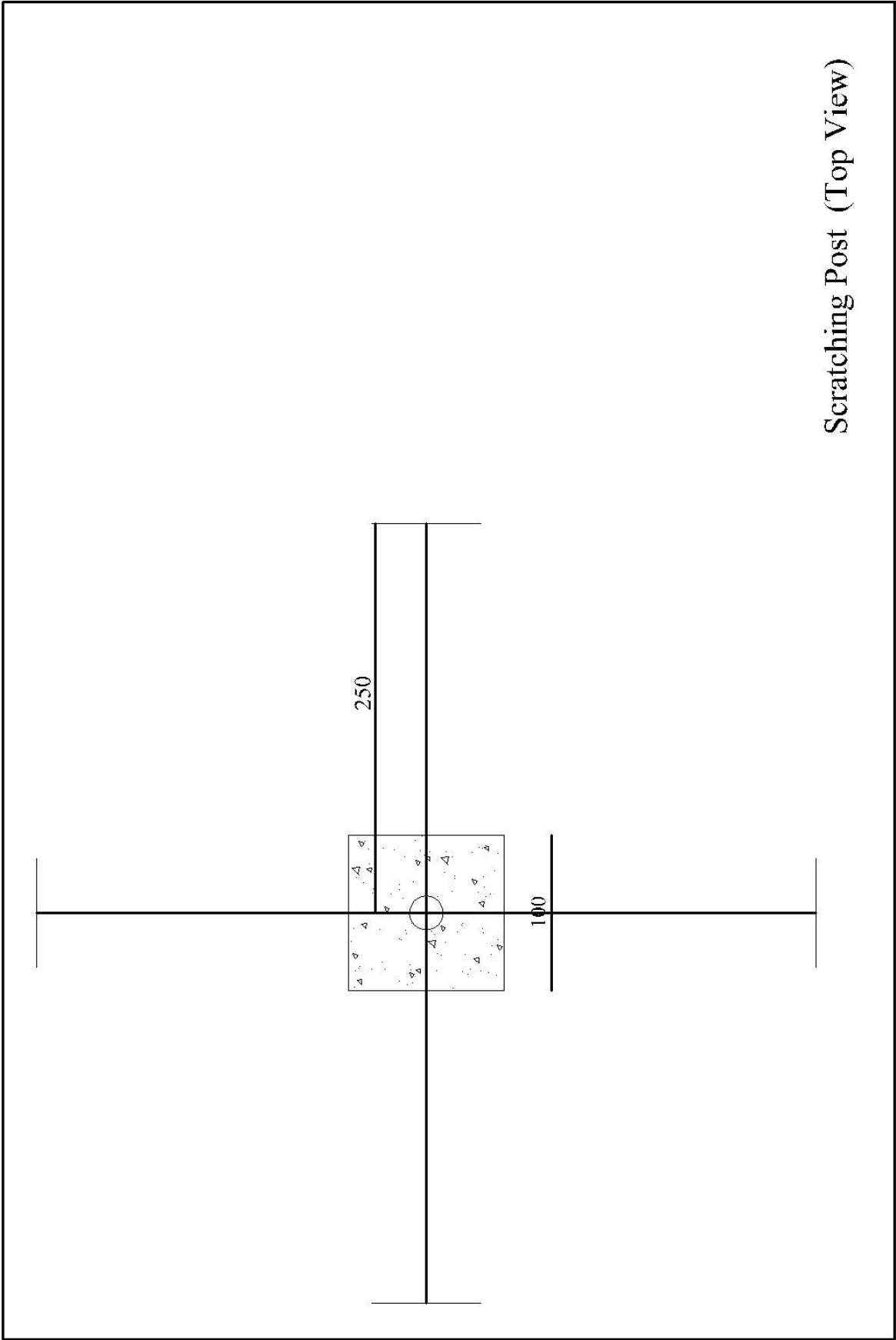


Headgate (Frames)

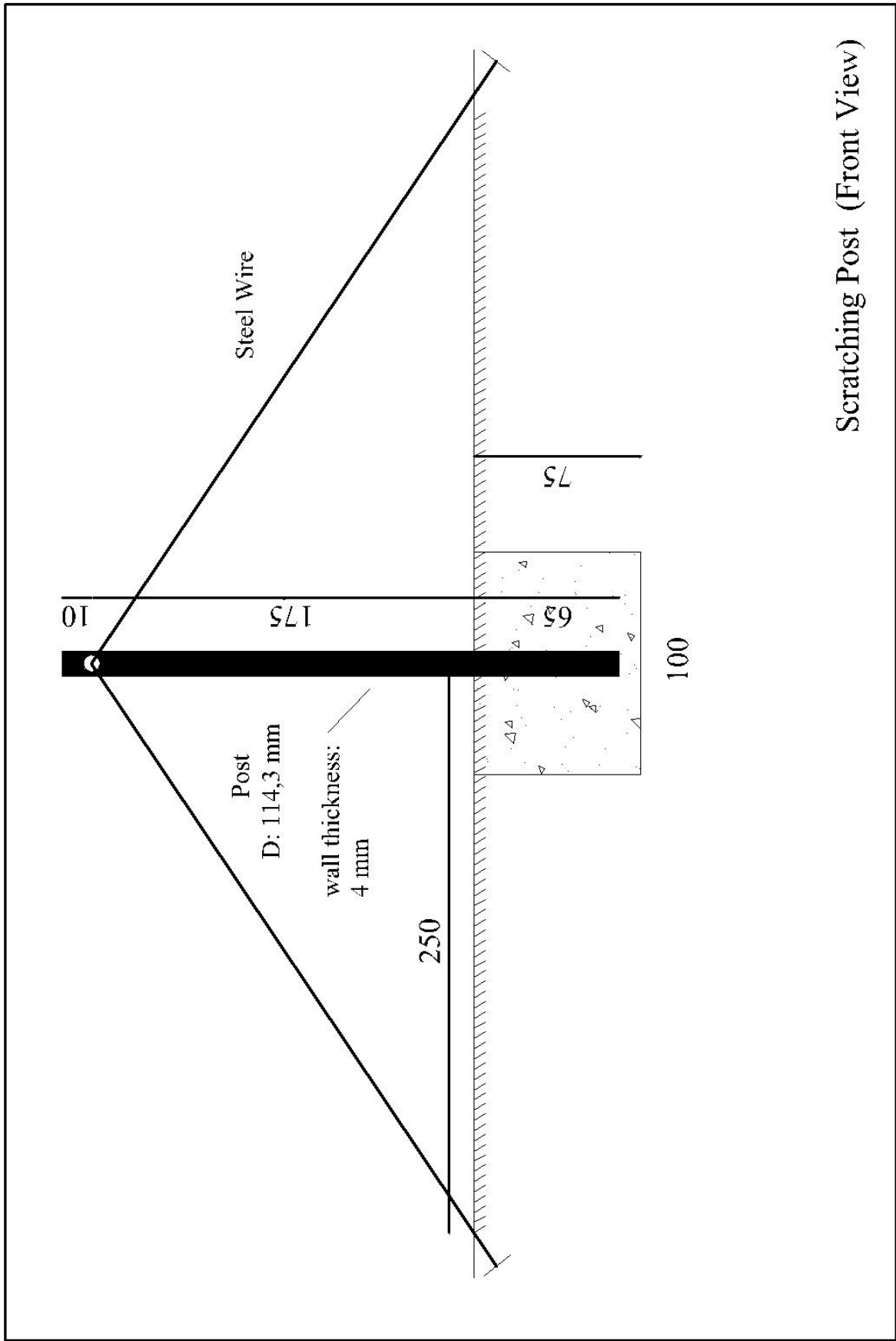




Crowding Structure



Scratching Post (Top View)



Section 10: Contract to be Signed, including General Terms and Conditions

**THIS IS UNDP'S TEMPLATE FOR CONTRACT FOR THE BIDDER'S REFERENCE.
ADHERENCE TO ALL TERMS AND CONDITIONS IS MANDATORY.**

Model Contract for Works

Date _____

Dear Sir/Madam,

Ref.: _____/ _____/ _____ [INSERT PROJECT NUMBER AND TITLE]

The United Nations Development Programme (hereinafter referred to as "UNDP"), wishes to engage your company, duly incorporated under the Laws of _____ [INSERT NAME OF THE COUNTRY] (hereinafter referred to as the "Contractor") in order to perform _____ [INSERT SUMMARY DESCRIPTION OF THE WORKS] (hereinafter referred to as the "Works"), in accordance with the following Contract:

1. Contract Documents

- 1.1 This Contract is subject to the UNDP General Conditions for Civil Works, [INSERT REVISION NUMBER AND DATE FROM THE CONTRACTS DOCUMENTS LIBRARY], attached hereto as Annex I. The provisions of such Annex shall control the interpretation of this Contract and in no way shall be deemed to have been derogated by the contents of this letter and any other Annexes, unless otherwise expressly stated under section 4 of this letter, entitled "Special Conditions".
- 1.2 The Contractor and UNDP also agree to be bound by the provisions contained in the following documents, which shall take precedence over one another in case of conflict in the following order:
 - a) this letter;
 - b) the Technical Specifications and Drawings [ref.dated.....], attached hereto as Annex II;
 - c) the Contractor's Tender [IF THE CONTRACT IS ON THE BASIS OF UNIT PRICE, INSERT: including the Priced Bill of Quantities] [ref....., dated], as clarified by the agreed minutes of the negotiation meeting [dated.....], not attached hereto but known to and in the possession of both parties.
- 1.3 All the above shall form the Contract between the Contractor and UNDP, superseding the contents of any other negotiations and/or agreements, whether oral or in writing, pertaining to the subject of this Contract.

[INSERT NAME AND ADDRESS OF THE CONTRACTOR]

2. Obligations of the Contractor

- 2.1 The Contractor shall commence work within [INSERT NUMBER OF DAYS] days from the date on which he shall have been given access to the Site and received the notice to commence from the Engineer, and shall perform and substantially complete the Works by [INSERT DATE], in accordance with the Contract. The Contractor shall provide all materials, supplies, labour and other services necessary to that end.
- 2.2 The Contractor shall submit to the Engineer the Programme of Work referred to in Clause 13 of the General Conditions by [INSERT DATE].
- 2.3 The Contractor represents and warrants the accuracy of any information or data provided to UNDP for the purpose of entering into this Contract, as well as the quality of the Works

foreseen under this Contract in accordance with the highest industrial and professional standards.

3. Price and payment

- 3.1 The total estimated price of the Contract is contained in the Bill of Quantities and amounts to [INSERT CURRENCY & AMOUNT IN FIGURES AND WORDS].
- 3.2 The final price of the Contract will be determined on the basis of the actual quantities of work and materials utilized in the complete and satisfactory performance of the Works as certified by the Engineer and the unit prices contained in the Contractor's financial proposal. Such unit prices are fixed and are not subject to any variation whatsoever.
- 3.3 If the Contractor foresees that the final price of the Contract may exceed the total estimated price contained in 3.1 above, he shall so inform the Engineer without delay, in order for UNDP to decide, at its discretion, to increase the estimated price of the Contract as a result of a larger quantity of work/material or to reduce the quantity of work to be performed or materials to be used. UNDP shall not be responsible for payment of any amount in excess of that stipulated in 3.1 above unless this latter amount has been increased by means of a written amendment of this Contract in accordance with its paragraph 7 below.
- 3.4 The Contractor shall submit an invoice for the work performed and materials utilized every month and a final invoice within 30 days from the issuance of the Certificate of Substantial Completion by the Engineer. All invoices shall be accompanied by the 'Progress Payment Certificates' indicating the percentage of completion of the works by the end of that respective month and corresponding amounts due, in line with the detailed breakdown of the price is given above.
- 3.5 UNDP shall effect payments to the Contractor in the form of "monthly progress payments" based on the completion of items in Bill of Quantities at the end of each month after acceptance by UNDP of the invoices submitted by the contractor. The Engineer may make corrections to that amount, in which case UNDP may effect payment for the amount so corrected. The Engineer may also withhold invoices if the work is not performed at any time in accordance with the terms of the Contract or if the necessary insurance policies or performance security are not valid and/or in order. The Engineer shall process the invoices submitted by the Contractor within 15 days of their receipt.
- 3.6 Payments effected by UNDP to the Contractor shall be deemed neither to relieve the Contractor of its obligations under this Contract nor as acceptance by UNDP of the Contractor's performance of the Works.
- 3.7 Payment of the final invoice shall be effected by UNDP after issuance of the Certificate of Substantial Completion by the Engineer.

4. Special conditions

- 4.1 The Performance Bond referred to in Clause 10 of the General Conditions shall be submitted by the Contractor for an amount of 10% (ten per cent) of the final price of the Contract
- 4.2 The Contractor should provide the following insurances:
 - a) All Risks for Works in accordance with Clause 21 of General Conditions,
 - b) Liability (referred to in Clause 23 of the General Conditions) in the amount of 15% (fifteen percent) of the final price of the Contract, per occurrence.
- 4.3 According to Clause 45 of the General Conditions, the liquidated damages for delay shall be 1% of the price of the Contract per week of delay, up to a maximum of 10% of the final price of the Contract.
- 4.4 According to Clause 45 of the General Conditions, the liquidated damages for absence of Contractor's key staff/personnel from the construction site without Engineer's approval shall be 250 TRY per day.

5. Submission of invoices

- 5.1 One original and one copy of every invoice shall be submitted by mail by the Contractor for each payment under the Contract to the Engineer's address specified in clause 8.2.
- 5.2 Invoices submitted by fax shall not be accepted by UNDP.

6. Time and manner of payment

6.1 Invoices shall be paid within thirty (30) days of the date of their receipt and acceptance by UNDP.

6.2 All payments shall be made by UNDP to the following Bank account of the Contractor:

[NAME OF THE BANK]
[ACCOUNT NUMBER]
[ADDRESS OF THE BANK]

7. Modifications

7.1 Any modification to this Contract shall require an amendment in writing between both parties duly signed by the authorized representatives of the Contractor and UNDP.

8. Notifications

8.1 For the purpose of notifications under the Contract, the addresses of UNDP and the Contractor are as follows:

For the UNDP:

[INSERT NAME OF RR OR DIVISION CHIEF]
United Nations Development Programme
Ref. [INSERT CONTRACT REFERENCE & NUMBER]
Fax: _____

For the Contractor:

[Insert Name, Address and Telex, Fax and Cable Numbers]

8.2 UNDP shall communicate as soon as possible to the Contractor after the signature of the Contract, the address of the Engineer for the purposes of communication with the Engineer under the Contract.

If the above terms and conditions meet with your agreement as typed in this letter and in the Contract Documents, please initial every page of this letter and its attachments and return to this office one original of this Contract, duly signed and dated.

Yours sincerely,

[INSERT NAME OF RR or Bureau/Division Director]

For [Insert name of the company/organization]

Agreed and Accepted:

Signature	_____
Name	_____
Title	_____
Date	_____

GENERAL CONDITIONS OF CONTRACT FOR CIVIL WORKS

1. Definitions
2. Singular and Plural
3. Headings or Notes
4. Legal Relationships
5. General Duties/Powers of Engineer
6. Contractor's General Obligations/Responsibilities
7. Assignment and Subcontracting
8. Drawings
9. Work Book
10. Performance Security
11. Inspection of Site
12. Sufficiency of Tender
13. Programme of Work to be Furnished
14. Weekly Site Meeting
15. Change Orders
16. Contractor's Superintendence
17. Contractor's Employees
18. Setting-Out
19. Watching and Lighting
20. Care of Works
21. Insurance of Works, Etc.
22. Damage to Persons and Property
23. Liability Insurance
24. Accident or Injury to Workmen
25. Remedy on Contractor's Failure to Insure
26. Compliance with Statutes, Regulations, Etc.
27. Fossils, Etc.
28. Copyright, Patents and Other Proprietary Rights, and Royalties
29. Interference with Traffic and Adjoining Properties
30. Extraordinary Traffic and Special Loads
31. Opportunities for Other Contractors
32. Contractor to Keep Site Clean
33. Clearance of Site on Substantial Completion
34. Labour
35. Returns of Labour, Plant, Etc.
36. Materials, Workmanship and Testing
37. Access to Site
38. Examination of Work Before Covering Up
39. Removal of Improper Work and Materials
40. Suspension of Work
41. Possession of Site
42. Time for Completion
43. Extension of Time for Completion
44. Rate of Progress

45. Liquidated Damages for Delay
46. Certificate of Substantial Completion
47. Defects Liability
48. Alterations, Additions and Omissions
49. Plant, Temporary Works and Materials
50. Approval of Materials, Etc., Not Implied
51. Measurement of Works
52. Liability of the Parties
53. Authorities
54. Urgent Repairs
55. Increase and Decrease of Costs
56. Taxation
57. Blasting
58. Machinery
59. Temporary Works and Reinstatement
60. Photographs and Advertising
61. Prevention of Corruption
62. Date Falling on Holiday
63. Notices
64. Language, Weights and Measures
65. Records, Accounts, Information and Audit
66. Force Majeure
67. Suspension by the UNDP
68. Termination by the UNDP
69. Termination by the Contractor
70. Rights and Remedies of the UNDP
71. Settlement of Disputes
72. Privileges and Immunities
73. Security
74. Audit and Investigations
75. Anti-terrorism

1. DEFINITIONS

For the purpose of the Contract Documents the words and expressions below shall have the following meanings:

- a) "Employer" means the United Nations Development Programme (UNDP).
- b) "Contractor" means the person whose tender has been accepted and with whom the Contract has been entered into.
- c) "Engineer" means the person whose services have been engaged by UNDP to administer the Contract as provided therein, as will be notified in writing to the Contractor.
- d) "Contract" means the written agreement between the Employer and the Contractor, to which these General Conditions are annexed.
- e) "The Works" means the works to be executed and completed under the Contract.
- f) "Temporary Works" shall include items to be constructed which are not intended to be permanent and form part of the Works.

- g) "Drawings" and "Specifications" mean the Drawings and Specifications referred to in the Contract and any modification thereof or addition thereto furnished by the Engineer or submitted by the Contractor and approved in writing by the Engineer in accordance with the Contract.
- h) "Bill of Quantities" is the document in which the Contractor indicates the cost of the Works, on the basis of the foreseen quantities of items of work and the fixed unit prices applicable to them.
- i) "Contract Price" means the sum agreed in the Contract as payable to the Contractor for the execution and completion of the Works and for remedying of any defects therein in accordance with the Contract.
- j) "Site" means the land and other places on, under, in or through which the Works or Temporary Works are to be constructed.

2. SINGULAR AND PLURAL

Words importing persons or parties shall include firms or companies and words importing the singular only shall also include the plural and vice versa where the context requires.

3. HEADINGS OR NOTES

The headings or notes in the Contract Documents shall not be deemed to be part thereof or be taken into consideration in their interpretation.

4. LEGAL RELATIONSHIPS

The Contractor and the sub-contractor(s), if any, shall have the status of an independent contractor vis-à-vis the Employer. The Contract Documents shall not be construed to create any contractual relationship of any kind between the Engineer and the Contractor, but the Engineer shall, in the exercise of his duties and powers under the Contract, be entitled to performance by the Contractor of its obligations, and to enforcement thereof. Nothing contained in the Contract Documents shall create any contractual relationship between the Employer or the Engineer and any subcontractor(s) of the Contractor.

5. GENERAL DUTIES/POWERS OF ENGINEER

- a) The Engineer shall provide administration of Contract as provided in the Contract Documents. In particular, he shall perform the functions hereinafter described.
- b) The Engineer shall be the Employer's representative vis-à-vis the Contractor during construction and until final payment is due. The Engineer shall advise and consult with the Employer. The Employer's instructions to the Contractor shall be forwarded through the Engineer. The Engineer shall have authority to act on behalf of the Employer only to the extent provided in the Contract Documents as they may be amended in writing in accordance with the Contract. The duties, responsibilities and limitations of authority of the Engineer as the Employer's representative during construction as set forth in the Contract shall not be modified or extended without the written consent of the Employer, the Contractor and the Engineer.
- c) The Engineer shall visit the Site at intervals appropriate to the stage of construction to familiarize himself generally with the progress and quality of the Works and to determine in general if the Works are proceeding in accordance with the Contract Documents. On the basis of his on-site observations as an Engineer, he shall keep the Employer informed of the progress of the Works.
- d) The Engineer shall not be responsible for and will not have control or charge of construction means, methods, techniques, sequences or procedures, or for safety precautions and programs in connection with the Works or the Temporary Works. The Engineer shall not be responsible for or have control or charge over the acts or omissions of the Contractor (including the Contractor's failure to carry out the Works in accordance with the Contract) and of Sub-contractors or any of their agents or

employees, or any other persons performing services for the Works, except if such acts or omissions are caused by the Engineer's failure to perform his functions in accordance with the contract between the Employer and the Engineer.

- e) The Engineer shall at all times have access to the Works wherever and whether in preparation or progress. The Contractor shall provide facilities for such access so that the Engineer may perform his functions under the Contract.
- f) Based on the Engineer's observations and an evaluation of the documentation submitted by the Contractor together with the invoices, the Engineer shall determine the amounts owed to the Contractor and shall issue Certificates for Payment as appropriate.
- g) The Engineer shall review and approve or take other appropriate action upon the Contractor's submittals such as Shop Drawings, Product Data and Samples, but only for conformity with the design concept of the Works and with the provisions of the Contract Documents. Such action shall be taken with reasonable promptness so as to cause no delay. The Engineer's approval of a specific item shall not indicate approval of an assembly of which the item is a component.
- h) The Engineer shall interpret the requirements of the Contract Documents and judge the performance thereunder by the Contractor. All interpretations and orders of the Engineer shall be consistent with the intent of and reasonably inferable from the Contract Documents and shall be in writing or in the form of drawings. Either party may make a written request to the Engineer for such interpretation. The Engineer shall render the interpretation necessary for the proper execution of the Works with reasonable promptness and in accordance with any time limit agreed upon. Any claim or dispute arising from the interpretation of the Contract Documents by the Engineer or relating to the execution or progress of the Works shall be settled as provided in Clause 71 of these General Conditions.
- i) Except as otherwise provided in the Contract, the Engineer shall have no authority to relieve the Contractor of any of his obligations under the Contract nor to order any work involving delay in completion of the Works or any extra payment to the Contractor by the Employer, or to make any variations to the Works.
- j) In the event of termination of the employment of the Engineer, the Employer shall appoint another suitable professional to perform the Engineer's duties.
- k) The Engineer shall have authority to reject work which does not conform to the Contract Documents. Whenever, in his opinion, he considers it necessary or advisable for the implementation of the intent of the Contract Documents, he will have authority to require special inspection or testing of the work whether or not such work be then fabricated, installed or completed. However, neither the Engineer's authority to act nor any reasonable decision made by him in good faith either to exercise or not to exercise such authority shall give rise to any duty or responsibility of the Engineer to the Contractor, any subcontractor, any of their agents or employees, or any other person performing services for the Works.
- l) The Engineer shall conduct inspections to determine the dates of Substantial Completion and Final Completion, shall receive and forward to the Employer for the Employer's review written warranties and related documents required by the Contract and assembled by the Contractor, and shall issue a final Certificate for Payment upon compliance with the requirements of Clause 47 hereof and in accordance with the Contract.
- m) If the Employer and Engineer so agree, the Engineer shall provide one or more Engineer's Representative(s) to assist the Engineer in carrying out his responsibilities at the site. The Engineer shall notify in writing to the Contractor and the Employer the duties, responsibilities and limitations of authority of any such Engineer's Representative(s).

6. CONTRACTOR'S GENERAL OBLIGATIONS/RESPONSIBILITIES

6.1. Obligation to Perform in Accordance with Contract

The Contractor shall execute and complete the Works and remedy any defects therein in strict accordance with the Contract, with due care and diligence and to the satisfaction of the Engineer, and shall provide all labor, including the supervision thereof, materials, Constructional Plant and all other things, whether of a temporary or permanent nature, required in and for such execution, completion and remedying of defects, as far as the necessity for providing the same is specified in or is reasonably to be inferred from the Contract. The Contractor shall comply with and adhere strictly to the Engineer's instructions and directions on any matter, touching or concerning the Works.

6.2 Responsibility for Site Operations

The Contractor shall take full responsibility for the adequacy, stability and safety of all site operations and methods of construction, provided that the Contractor shall not be responsible, except as may be expressly provided in the Contract, for the design or specification of the Permanent Works or of any Temporary Works prepared by the Engineer.

6.3. Responsibility for Employees

The Contractor shall be responsible for the professional and technical competence of his employees and will select for work under this Contract, reliable individuals who will perform effectively in the implementation of the Contract, respect local customs and conform to a high standard of moral and ethical conduct.

6.4. Source of Instructions

The Contractor shall neither seek nor accept instructions from any authority external to the Employer, the Engineer or their authorized representatives in connection with the performance of his services under this Contract. The Contractor shall refrain from any action which may adversely affect the Employer and shall fulfill his commitments with fullest regard for the interest of the Employer.

6.5. Officials Not to Benefit

The Contractor warrants that no official of the Employer has been or shall be admitted by the Contractor to any direct or indirect benefit arising from this Contract or the award thereof. The Contractor agrees that breach of this provision is a breach of an essential term of the Contract.

6.6. Use of Name, Emblem or Official Seal of UNDP or the United Nations

The Contractor shall not advertise or otherwise make public the fact that he is performing, or has performed services for the Employer or use the name, emblem or official seal of the Employer or the United Nations or any abbreviation of the name of the Employer or the United Nations for advertising purposes or any other purposes.

6.7. Confidential Nature of Documents

All maps, drawings, photographs, mosaics, plans, reports, recommendations, estimates, documents and all other data compiled by or received by the Contractor under the Contract shall be the property of the Employer, shall be treated as confidential and shall be delivered only to the duly authorized

representative of the Employer on completion of the Works; their contents shall not be made known by the Contractor to any person other than the personnel of the Contractor performing services under this Contract without the prior written consent of the Employer.

7. ASSIGNMENT AND SUBCONTRACTING

7.1. Assignment of Contract

The Contractor shall not, except after obtaining the prior written approval of the Employer, assign, transfer, pledge or make other disposition of the Contract or any part thereof or of any of the Contractor's rights, claims or obligations under the Contract.

7.2. Subcontracting

In the event the Contractor requires the services of subcontractors, the Contractor shall obtain the prior written approval of the Employer for all such subcontractors. The approval of the Employer shall not relieve the Contractor of any of his obligations under the Contract, and the terms of any subcontract shall be subject to and be in conformity with the provisions of the Contract.

7.3. Assignment of Subcontractor's Obligations

In the event of a subcontractor having undertaken towards the Contractor in respect of the work executed or the goods, materials, Plant or services supplied by such subcontractor for the Works, any continuing obligation extending for a period exceeding that of the Defects Liability Period under the Contract, the Contractor shall at any time after the expiration of such Period, assign to the Employer, at the Employer's request and cost, the benefit of such obligation for the unexpired duration thereof.

8. DRAWINGS

8.1. Custody of drawings

The drawings shall remain in the sole custody of the Employer but two (2) copies thereof shall be furnished to the Contractor free of cost. The Contractor shall provide and make at his own expense any further copies required by him. At the completion of the Works, the Contractor shall return to the Employer all drawings provided under the Contract.

8.2. One copy of Drawings to be kept on Site

One copy of the Drawings furnished to the Contractor as aforesaid shall be kept by the Contractor on the Site and the same shall at all reasonable times be available for inspection and use by the Engineer and by any other person authorized in writing by the Engineer.

8.3. Disruption of Progress

The Contractor shall give written notice to the Engineer whenever planning or progress of the Works is likely to be delayed or disrupted unless any further drawing or order, including a direction, instruction or approval, is issued by the Engineer within a reasonable time. The notice shall include details of drawing or order required and of why and by when it is required and of any delay or disruption likely to be suffered if it is late.

9. WORK BOOK

The Contractor shall maintain a Work Book at the Site with numbered pages, in one original and two copies. The Engineer shall have full authority to issue new orders, drawings and instructions to

the Contractor, from time to time and as required for the correct execution of the Works. The Contractor shall be bound to follow such orders, drawings and instructions.

Every order shall be dated and signed by the Engineer and the Contractor, in order to account for its receipt.

Should the Contractor want to refuse an order in the Work Book, he shall so inform the Employer, through the Engineer, by means of an annotation in the Work Book made within three (3) days from the date of the order that the Contractor intends to refuse. Failure by the Contractor to adhere to this procedure shall result in the order being deemed accepted with no further possibility of refusal.

The original of the Work Book shall be delivered to the Employer at the time of Final Acceptance of the Works. A copy shall be kept by the Engineer and another copy by the Contractor.

10. PERFORMANCE SECURITY

- a) As guarantee for his proper and efficient performance of the Contract, the Contractor shall on signature of the Contract furnish the Employer with a Performance Security issued for the benefit of the Employer. The amount and character of such security (bond or guarantee) shall be as indicated in the Contract.
- b) The Performance Bond or Bank Guarantee must be issued by an acceptable insurance company or accredited bank, in the format included in Appendix I to these General Conditions, and must be valid up to twenty-eight days after issuance by the Engineer of the Certificate of Final Completion. The Performance Bond or Bank Guarantee shall be returned to the Contractor within twenty-eight days after the issuance by the Engineer of the Certificate of Final Completion, provided that the Contractor shall have paid all money owed to the Employer under the Contract.
- c) If the surety of the Performance Bond or Bank Guarantee is declared bankrupt or becomes insolvent or its right to do business in the country of execution of the Works is terminated, the Contractor shall within five (5) days thereafter substitute another bond or guarantee and surety, both of which must be acceptable to the Employer.

11. INSPECTION OF SITE

The Contractor shall be deemed to have inspected and examined the site and its surroundings and to have satisfied himself before submitting his Tender and signing the Contract as to all matters relative to the nature of the land and subsoil, the form and nature of the Site, details and levels of existing pipe lines, conduits, sewers, drains, cables or other existing services, the quantities and nature of the work and materials necessary for the completion of the Works, the means of access to the Site, and the accommodation he may require, and in general to have himself obtained all necessary information as to risk contingencies, climatic, hydrological and natural conditions and other circumstances which may influence or affect his Tender, and no claims will be entertained in this connection against the Employer.

12. SUFFICIENCY OF TENDER

The Contractor shall be deemed to have satisfied himself before tendering as to the correctness and sufficiency of his Tender for the construction of the Works and of the rates and prices, which rates and prices shall, except in so far as it is otherwise provided in the Contract, cover all his obligations under the Contract and all matters and things necessary for the proper execution and completion of the Works.

13. PROGRAMME OF WORK TO BE FURNISHED

Within the time limit specified in the Contract, the Contractor shall submit to the Engineer for his consent a detailed Programme of Work showing the order of procedure and the method in which he proposes to carry out the Works. In preparing his Programme of Work the Contractor shall pay due regard to the priority required by certain works. Should the Engineer, during the progress of work, require further modifications to the Programme of Work, the Contractor shall review the said program. The Contractor shall also whenever required by the Engineer submit particulars in writing of the Contractor's arrangements for carrying out the Works and of the Constructional Plant and Temporary Works which the Contractor intends to supply, use or construct as the case may be. The submission of such program, or any modifications thereto, or the particulars required by the Engineer, shall not relieve the Contractor of any of his duties or obligations under the Contract nor shall the incorporation of any modification to the Programme of Work either at the commencement of the contract or during its course entitle the Contractor to any additional payments in consequence thereof.

14. WEEKLY SITE MEETING

A weekly site meeting shall be held between the UNDP Project Coordinator or engineer, if any, the representative of the Contractor and the Engineer or the Engineer's Representative, in order to verify that the Works are progressing normally and are executed in accordance with the Contract.

15. CHANGE ORDERS

- a) The Engineer may instruct the Contractor, with the approval of the Employer and by means of Change Orders, all variations in quantity or quality of the Works, in whole or in part, that are deemed necessary by the Engineer.
- b) Processing of change orders shall be governed by clause 48 of these General Conditions.

16. CONTRACTOR'S SUPERINTENDENCE

The Contractor shall provide all necessary superintendence during the execution of the Works and as long thereafter as the Engineer may consider necessary for the proper fulfillment of the Contractor's obligations under the Contract. The Contractor or a competent and authorized agent or representative of the Contractor approved in writing by the Engineer, which approval may at any time be withdrawn, shall be constantly on the site and shall devote his entire time to the superintendence of the Works. Such authorized agent or representative shall receive on behalf of the Contractor directions and instructions from the Engineer. If the approval of such agent or representative shall be withdrawn by the Engineer, as provided in Clause 17(2) hereinafter, or if the removal of such agent or representative shall be requested by the Employer under Clause 17(3) hereinafter, the Contractor shall as soon as it is practicable after receiving notice of such withdrawal remove the agent or representative from the Site, and replace him by another agent or representative approved by the Engineer. Notwithstanding the provision of Clause 17(2) hereinafter, the Contractor shall not thereafter employ, in any capacity whatsoever, a removed agent or representative again on the Site.

17. CONTRACTOR'S EMPLOYEES

- a) The Contractor shall provide and employ on the Site in connection with the execution and completion of the Works and the remedying of any defects therein:
 - i. Only such technical assistants as are skilled and experienced in their respective callings and such sub-agent foremen and leading hands as are competent to give proper supervision to the work they are required to supervise, and

- ii. Such skilled, semi-skilled, and unskilled labour as is necessary for the proper and timely execution and completion of the Works.
- b) The Engineer shall be at liberty to object to and require the Contractor to remove forthwith from the Works any person employed by the Contractor in or about the execution or completion of the Works, who in the opinion of the Engineer is misconducting himself, or is incompetent or negligent in the proper performance of his duties, or whose employment is otherwise considered reasonably by the Engineer to be undesirable, and such person shall not be again employed on the Site without the written permission of the Engineer. Any person so removed from the Works shall be replaced as soon as reasonably possible by a competent substitute approved by the Engineer.
- c) Upon written request by the Employer, the Contractor shall withdraw or replace from the Site any agent, representative or other personnel who does not conform to the standards set forth in paragraph (1) of this Clause. Such request for withdrawal or replacement shall not be considered as termination in part or in whole of this Contract. All costs and additional expenses resulting from any withdrawal or replacement for whatever reason of any of the Contractor's personnel shall be at the Contractor's expense.

18. SETTING-OUT

The Contractor shall be responsible for the true and proper setting out of the Works in relation to original points, lines and levels of reference given by the Engineer in writing and for the correctness of the position, levels, dimensions and alignment of all parts of the Works and for the provision of all necessary instruments, appliances and labor in connection therewith. If, at any time during the progress of the Works, any error shall appear or arise in the position, levels, dimensions or alignment of any part of the Works, the Contractor, on being required so to do by the Engineer, shall, at his own cost, rectify such error to the satisfaction of the Engineer.

19. WATCHING AND LIGHTING

The Contractor shall in connection with the Works provide and maintain at his own cost all lights, guards, fencing and watching when and where necessary or required by the Engineer or by any duly constituted authority for the protection of the Works and the materials and equipment utilized therefor or for the safety and convenience of the public or others.

20. CARE OF WORKS

- a) From the commencement date of the Works to the date of substantial completion as stated in the Certificate of Substantial Completion, the Contractor shall take full responsibility for the care thereof and of all Temporary Works. In the event that any damage or loss should happen to the Works or to any part thereof or to any Temporary Works from any cause whatsoever (save and except as shall be due to Force Majeure as defined in Clause 66 of these General Conditions), the Contractor shall at his own cost repair and make good the same so that, at completion, the Works shall be in good order and condition and in conformity in every respect with the requirements of the Contract and the Engineer's instructions. The Contractor shall also be liable for any damage to the Works occasioned by him in the course of any operations carried out by him for the purpose of complying with his obligations Clause 47 hereof.
- b) The Contractor shall be fully responsible for the review of the Engineering design and details of the Works and shall inform the Employer of any mistakes or incorrectness in such design and details which would affect the Works.

21. INSURANCE OF WORKS, ETC.

Without limiting his obligations and responsibilities under Clause 20 hereof, the Contractor shall

insure immediately following signature of this Contract, in the joint names of the Employer and the Contractor (a) for the period stipulated in Clause 20(1) hereof, against all loss or damage from whatever cause arising, other than cause of Force majeure as defined in clause 66 of these General Conditions, and (b) against loss or damage for which the Contractor is responsible, in such manner that the Employer and the Contractor are covered for the period stipulated in Clause 20 (1) hereof and are also covered during the Defects Liability Period for loss or damage arising from a cause occurring prior to the commencement of the Defects Liability Period and for any loss or damage occasioned by the Contractor in the course of any operations carried out by him for the purpose of complying with his obligations under Clause 47 hereof:

- a) The Works, together with the materials and Plant for incorporation therein, to their full replacement cost, plus an additional sum of ten (10) per cent of such replacement cost, to cover any additional costs of and incidental to the rectification of loss or damage including professional fees and the cost of demolishing and removing any part of the Works and of removing debris of whatsoever nature;
- b) The Contractor's equipment and other things brought on to the Site by the Contractor to the replacement value of such equipment and other things;
- c) An insurance to cover the liabilities and warranties of Section 52(4);

Such insurance shall be effected with an insurer and in terms approved by the Employer, which approval shall not be unreasonably withheld, and the Contractor shall, whenever required, produce to the Engineer the policy or policies of insurance and the receipts for payment of the current premiums.

22. DAMAGE TO PERSONS AND PROPERTY

The Contractor shall (except if and so far as the Contract provides otherwise) indemnify, hold and save harmless and defend at his own expense the Employer, its officers, agents, employees and servants from and against all suits, claims, demands, proceedings, and liability of any nature or kind, including costs and expenses, for injuries or damages to any person or any property whatsoever which may arise out of or in consequence of acts or omissions of the Contractor or its agents, employees, servants or subcontractors in the execution of the Contract. The provision of this Clause shall extend to suits, claims, demands, proceedings and liability in the nature of workmen's compensation claims and arising out of the use of patented inventions and devices. Provided always that nothing herein contained shall be deemed to render the Contractor liable for or in respect of or with respect to:

- a) The permanent use or occupation of land by the Works or any part thereof;
- b) The right of the Employer to construct the Works or any part thereof on, over, under, or through any land.
- c) Interference whether temporary or permanent with any right of light, airway or water or other easement or quasi-easement which is the unavoidable result of the construction of the Works in accordance with the Contract.
- d) Death, injuries or damage to persons or property resulting from any act or neglect of the Employer, his agents, servants or other contractors, done or committed during the validity of the Contract.

23. LIABILITY INSURANCE

23.1. Obligation to take out Liability Insurance

Before commencing the execution of the Works, but without limiting his obligations and

responsibility under Clause 20 hereof, the Contractor shall insure against his liability for any death, material or physical damage, loss or injury which may occur to any property, including that of the Employer or to any person, including any employee of the Employer by or arising out of the execution of the Works or in the carrying out of the Contract, other than due to the matters referred to in the proviso to Clause 22 hereof.

23.2. Minimum Amount of Liability Insurance

Such insurance shall be effected with an insurer and in terms approved by the Employer, which approval shall not be unreasonably withheld, and for at least the amount specified in the contract. The Contractor shall, whenever required by the Employer or the Engineer, produce to the Engineer the policy or policies of insurance and the receipts for payment of the current premiums.

23.3. Provision to Indemnify Employer

The insurance policy shall include a provision whereby, in the event of any claim in respect of which the Contractor would be entitled to receive indemnity under the policy, being brought or made against the Employer, the insurer shall indemnify the Employer against such claims and any costs, charges and expenses in respect thereof.

24. ACCIDENT OR INJURY TO WORKMEN

- a) The Employer shall not be liable for or in respect of any damages or compensation payable at law in respect or in consequence of any accident or injury to any workman or other person in the employment of the Contractor or any sub-Contractor, save and except an accident or injury resulting from any act or default of the Employer, his agents or servants. The Contractor shall indemnify, hold and save harmless the Employer against all such damages and compensation, save and except as aforesaid, and against all claims, proceedings, costs, charges and expenses whatsoever in respect thereof or in relation thereto.
- b) Insurance Against Accident, etc., to Workmen

The Contractor shall insure against such liability with an insurer approved by the Employer, which approval shall not be unreasonably withheld, and shall continue such insurance during the whole of the time that any persons are employed by him for the Works and shall, when required, produce to the Engineer such policy of insurance and the receipt for payment of the current premium. Provided always that, in respect of any persons employed by any subcontractor, the Contractor's obligation to insure as aforesaid under this sub-clause shall be satisfied if the subcontractor shall have insured against the liability in respect of such persons in such manner that the Employer is indemnified under the policy but the Contractor shall require such subcontractor to produce to the Engineer when required such policy of insurance and the receipt for the current premium, and obtain the insertion of a provision to that effect in its contract with the subcontractor.

25. REMEDY ON CONTRACTOR'S FAILURE TO INSURE

If the Contractor shall fail to effect and keep in force any of the insurances referred to in Clauses 21, 23 and 24 hereof, or any other insurance which he may be required to effect under the terms of the Contract, the Employer may in any such case effect and keep in force any such insurance and pay such premium as may be necessary for that purpose and from time to time deduct the amount so paid by the Employer as aforesaid from any monies due or which may become due to the Contractor, or recover the same as a debt due from the Contractor.

26. COMPLIANCE WITH STATUTES, REGULATIONS, ETC.

- a) The Contractor shall give all notices and pay all fees and charges required to be given or paid by any national or State Statutes, Ordinances, Laws, Regulations or By-laws, or any local or other duly constituted authority in relation to the execution of the Works or of any Temporary Works and by the Rules and Regulations of all public bodies and companies whose property or rights are affected or may be affected in any way by the Works or any Temporary Works.
- b) The Contractor shall conform in all respects with any such Statutes, Ordinances, Laws, Regulations, By-laws or requirements of any such local or other authority which may be applicable to the Works and shall keep the Employer indemnified against all penalties and liabilities of every kind for breach of any such Statutes, Ordinances, Laws, Regulations, By-laws or requirements.

27. FOSSILS, ETC.

All fossils, coins, articles of value or antiquity and structures and other remains or things of geological or archaeological interest discovered on the Site of the Works shall as between the Employer and the Contractor be deemed to be the absolute property of the Employer and the Contractor shall take reasonable precautions to prevent his workmen or any other persons from removing or damaging any such article or thing and shall immediately upon discovery thereof and before removal acquaint the Employer of such discovery and carry out at the expense of the Employer the Engineer's orders as to the disposal of the same.

28. COPYRIGHT, PATENT AND OTHER PROPRIETARY RIGHTS, AND ROYALTIES

- a) The Contractor shall hold harmless and fully indemnify the Employer from and against all claims and proceedings for or on account of infringement of any patent rights, design trademark or name or other protected rights in respect of any Plant, equipment, machine, work or material used for or in connection with the Works or Temporary Works and from and against all claims, demands proceedings, damages, costs, charges and expenses whatsoever in respect thereof or in relation thereto, except where such infringement results from compliance with the design or Specification provided by the Engineer.
- b) Except where otherwise specified, the Contractor shall pay all tonnage and other royalties, rent and other payments or compensation, if any, for getting stone, sand, gravel, clay or other materials required for the Works or Temporary Works.

29. INTERFERENCE WITH TRAFFIC AND ADJOINING PROPERTIES

All operations necessary for the execution of the Works and for the Construction of any Temporary Works shall, so far as compliance with the requirements of the Contract permits, be carried on so as not to interfere unnecessarily or improperly with the public convenience, or the access to, use and occupation of, public or private roads and footpaths to or of properties whether in the possession of the Employer or of any other person. The Contractor shall hold harmless and indemnify the Employer in respect of all claims, demands, proceedings, damages, costs, charges and expenses whatsoever arising out of or in relation to any such matters in so far as the Contractor is responsible therefor.

30. EXTRAORDINARY TRAFFIC AND SPECIAL LOADS

- a) The Contractor shall use every reasonable means to prevent any of the roads or bridges communicating with or on the routes to the Site from being damaged by any traffic of the Contractor or any of his sub-contractors and, in particular, shall select routes, choose and use vehicles and restrict and distribute loads so that any such extraordinary traffic as will inevitably arise from the moving of plant and material from and to the Site shall be limited as far as reasonably possible and so that no unnecessary damage may be occasioned to such roads and bridges.

- b) Should it be found necessary for the Contractor to move any load of Constructional Plant, machinery, preconstructed units or parts of units of work, or other thing, over part of a road or bridge, the moving whereof is likely to damage any such road or bridge unless special protection or strengthening is carried out, then the Contractor shall before moving the load on to such road or bridge, save insofar as the Contract otherwise provide, be responsible for and shall pay for the cost of strengthening any such bridge or altering or improving any such road to avoid such damage, and the Contractor shall indemnify and keep the Employer indemnified against all claims for damage to any such road or bridge caused by such movement, including such claim as may be made directly against the Employer, and shall negotiate and pay all claims arising solely out of such damage.

31. OPPORTUNITIES FOR OTHER CONTRACTORS

The Contractor shall in accordance with the requirements of the Engineer afford all reasonable opportunities for carrying out their work to any other contractors employed by the Employer and their workmen and to the workmen of the Employer and of any other duly constituted authorities who may be employed in the execution on or near the Site of any work not included in the Contract or of any contract which the Employer may enter into in connection with or ancillary to the Works. If work by other contractors of the Employer as above-mentioned involves the Contractor in any direct expenses as a result of using his Site facilities, the Employer shall consider payment to the Contractor of such sum or sums as may be recommended by the Engineer.

32. CONTRACTOR TO KEEP SITE CLEAN

During the progress of the Works, the Contractor shall keep the Site reasonably free from all unnecessary obstruction and shall store or dispose of any Constructional Plant and surplus materials and clear away and remove from the Site any wreckage, rubbish or Temporary Works no longer required.

33. CLEARANCE OF SITE ON SUBSTANTIAL COMPLETION

On the substantial completion of the Works, the Contractor shall clear away and remove from the Site all Constructional Plant surplus materials, rubbish and Temporary Works of every kind and leave the whole of the Site and Works clean and in a workmanlike condition to the satisfaction of the Engineer.

34. LABOUR

34.1 Engagement of Labour

The Contractor shall make his own arrangements for the engagement of all labour local or otherwise.

34.2 Supply of Water

The Contractor shall provide on the Site to the satisfaction of the Engineer an adequate supply of drinking and other water for the use of the Contractor's staff and work people.

34.3 Alcoholic Drinks or Drugs

The Contractor shall comply with Government laws and regulations and orders in force as regards the import, sale, barter or disposal of alcoholic drinks or narcotics and he shall not allow or facilitate such importation, sale, gift, barter or disposal by his sub-contractors, agents or employees.

34.4 Arms and Ammunition

The restrictions specified in clause 34.3 above shall include all kinds of arms and ammunition.

34.5 Holiday and Religious Customs

The Contractor shall in all dealings with labour in his employ have due regard to all holiday, recognized festivals and religious or other customs.

34.6 Epidemics

In the event of any outbreak of illness of an epidemic nature the Contractor shall comply with and carry out such regulations, orders, and requirements as may be made by the Government or the local medical or sanitary authorities for the purpose of dealing with and overcoming the same.

34.7 Disorderly Conduct, etc.

The Contractor shall at all times take all reasonable precautions to prevent any unlawful riotous or disorderly conduct by or amongst his employees and for the preservation of peace and the protection of persons and property in the neighborhood of the Works against the same.

34.8 Observance by Sub-Contractors

The Contractor shall be considered responsible for the observance of the above provisions by his Sub-Contractors.

34.9 Legislation applicable to Labour

The Contractor shall abide by all applicable legislation and regulation with regard to labour.

35. RETURNS OF LABOUR, PLANT, ETC.

The Contractor shall, if required by the Engineer, deliver to the Engineer at his office, a return in detail in the form and at such intervals as the Engineer may prescribe showing the supervisory staff and the numbers of the several classes of labour from time to time employed by the Contractor on the Site and such information respecting Constructional plant as the Engineer may require.

36. MATERIALS, WORKMANSHIP AND TESTING

36.1 Materials and Workmanship

- a) All materials and workmanship shall be of the respective kinds described in the Contract and in accordance with the Engineer's instructions and shall be subjected from time to time to such tests as the Engineer may direct at the place of manufacture or fabrication, or on the Site or at all or any of such places. The Contractor shall provide such assistance, instruments, machines, labour and materials as are normally required for examining, measuring and testing any work and the quality, weight or quantity of any materials used and shall supply samples of materials before incorporation in the Works for testing as may be selected and required by the Engineer. All testing equipment and instruments provided by the Contractor shall be used only by the Engineer or by the Contractor in accordance with the instructions of the Engineer.
- b) No material not conforming with the Specifications in the Contract may be used for the Works without prior written approval of the Employer and instruction of the Engineer, provided always that if the use of such material results or may result in increasing the Contract Price, the procedure in Clause 48 shall apply.

36.2 Cost of Samples

All samples shall be supplied by the Contractor at his own cost unless the supply thereof is clearly intended in the Specifications or Bill of Quantities to be at the cost of the Employer. Payment will not be made for samples which do not comply with the Specifications.

36.3 Cost of Tests

The Contractor shall bear the costs of any of the following tests:

- a) Those clearly intended by or provided for in the Contract Documents.
- b) Those involving load testing or tests to ensure that the design of the whole of the Works or any part of the Works is appropriate for the purpose which it was intended to fulfill.

37. ACCESS TO SITE

The Employer and the Engineer and any persons authorized by either of them shall, at all times, have access to the Works and to the Site and to all workshops and places where work is being prepared or whence materials, manufactured articles or machinery are being obtained for the Works and the Contractor shall afford every facility for and every assistance in or in obtaining the right to such access.

38. EXAMINATION OF WORK BEFORE COVERING UP

No work shall be covered up or put out of view without the approval of the Engineer and the Contractor shall afford full opportunity for the Engineer to examine and measure any work which is about to be covered up or put out of view and to examine foundations before permanent work is placed thereon. The Contractor shall give due notice to the Engineer whenever any such work or foundations is or are ready or about to be ready for examination and the Engineer shall without unreasonable delay unless he considers it unnecessary and advises the Contractor accordingly attend for the purpose of examining and measuring such work or of examining such foundations.

39. REMOVAL OF IMPROPER WORK AND MATERIALS

39.1 Engineer's power to order removal

The Engineer shall during the progress of the Works have power to order in writing from time to time, and the Contractor shall execute at his cost and expense, the following operations:

- a) The removal from the Site within such time or times as may be specified in the order of any materials which in the opinion of the Engineer are not in accordance with the Contract;
- b) The substitution of proper and suitable materials; and
- c) The removal and proper re-execution (notwithstanding any previous test thereof or interim payment therefore) of any work which in respect of materials or workmanship is not in the opinion of the Engineer in accordance with the Contract.

39.2 Default of Contractor in carrying out Engineer's Instructions

In case of default on the part of the Contractor in carrying out an instruction of the Engineer, the Employer shall be entitled to employ and pay other persons to carry out the same and all expenses consequent thereon or incidental thereto shall be borne by the Contractor and shall be recoverable from him by the Employer and may be deducted by the Employer from any monies due or which

may become due to the Contractor.

40.SUSPENSION OF WORK

The Contractor shall on the written order of the Engineer suspend the progress of the Works or any part thereof for such time or times and in such manner as the Engineer may consider necessary and shall, during such suspension, properly protect and secure the Works so far as it is necessary in the opinion of the Engineer. The Employer should be notified and his written approval should be sought for any suspension of work in excess of three (3) days.

41.POSSESSION OF SITE

41.1 Access to Site

The Employer shall with the Engineer's written order to commence the Works, give to the Contractor possession of so much of the Site as may be required to enable the Contractor to commence and proceed with the construction of the Works in accordance with the Programme referred to in Clause 13 hereof and otherwise in accordance with such reasonable proposals of the Contractor as he shall make to the Engineer by notice in writing, and shall from time to time as the Works proceed give to the Contractor possession of such further portions of the Site as may be required to enable the Contractor to proceed with the construction of the Works with due dispatch in accordance with the said Programme or proposals, as the case may be.

41.2 Wayleaves, etc.

The Contractor shall bear all expenses and charges for special temporary wayleaves required by him in connection with access to the Site. The Contractor shall also provide at his own cost any additional accommodation outside the Site required by him for the purpose of the Works.

41.3 Limits of the Site

Except as defined below, the limits of the Site shall be as defined in the Contract. Should the Contractor require land beyond the Site, he shall provide it entirely at his own expense and before taking possession shall supply the Engineer with a copy of the necessary permits. Access to the Site is available where the Site adjoins a public road but it is not provided unless shown on the Drawings. When necessary for the safety and convenience of workmen, public or livestock or for the protection of the Works, the Contractor shall, at his own expense, provide adequate temporary fencing to the whole or part of the Site. The Contractor shall not disturb, damage or pull down any hedge, tree or building within the Site without the written consent of the Engineer.

42.TIME FOR COMPLETION

- a) Subject to any requirement in the Contract as to completion of any section of the Works before completion of the whole, the whole of the Works shall be completed, in accordance with the provisions of Clause 46 and 47 hereof, within the time stated in the Contract.
- b) The completion time includes weekly rest days, official holidays, and days of inclement weather.

43.EXTENSION OF TIME FOR COMPLETION

If, subject to the provisions of the Contract, the Engineer orders alterations or additions in the Works in accordance with Clause 48 hereof, or if circumstances constituting force majeure as defined in the Contract have occurred, the Contractor shall be entitled to apply for an extension of the time for

completion of the Works specified in the Contract. The Employer shall, upon such application, determine the period of any such extension of time; provided that in the case of alterations or additions in the Works, the application for such an extension must be made before the alterations or additions in the Works are undertaken by the Contractor.

44.RATE OF PROGRESS

The whole of the materials, plant and labour to be provided by the Contractor and the mode, manner and speed of execution and completion of the Works are to be of a kind and conducted in a manner to the satisfaction of the Engineer. Should the rate of progress of the Works or any part thereof be at any time in the opinion of the Engineer too slow to ensure the completion of the Works by the prescribed time or extended time for completion, the Engineer shall so notify the Contractor in writing and the Contractor shall thereupon take such steps as the Contractor may think necessary and the Engineer may approve to expedite progress so as to complete the Works by the prescribed time or extended time for completion. If the work is not being carried on by day and by night and the Contractor shall request permission to work by night as well as by day, then, if the Engineer shall grant such permission, the Contractor shall not be entitled to any additional payment. All work at night shall be carried out without unreasonable noise and disturbance. The contractor shall indemnify the Employer from and against any claims or liability for damages on account of noise or other disturbance created while or in carrying out the work and from and against all claims, demands, proceedings, costs and expenses whatsoever in regard or in relation to such noise or other disturbance. The Contractor shall submit in triplicate to the Engineer at the end of each month signed copies of explanatory Drawings or any other material showing the progress of the Works.

45.LIQUIDATED DAMAGES FOR DELAY

- a) If the Contractor shall fail to complete the Works within the time for completion prescribed in the Contract, or any extended time for completion in accordance with the Contract, then the Contractor shall pay to the Employer the sum specified in the Contract as liquidated damages, for the delay between the time prescribed in the Contract or the extended time for completion, as the case may be, and the date of substantial completion of the Works as stated in the Certificate of Substantial Completion, subject to the applicable limit stated in the Contract. The said sum shall be payable by the sole fact of the delay without the need for any previous notice or any legal proceedings, or proof of damage, which shall in all cases be considered as ascertained. The Employer may, without prejudice to any other method of recovery, deduct the amount of such liquidated damages from any monies in its hands due or which may become due to the Contractor. The payment or deduction of such damages shall not relieve the Contractor from his obligation to complete the Works or from any other of his obligations and liabilities under the Contract.
- b) If, before the time for completion of the whole of the Works or of a Section of the Works, a Certificate of Substantial Completion has been issued for any part or Section of the Works, the liquidated damages for delay in completion of the remainder of the Works or of that Section may, for any period of delay after the date stated in such Certificate of Substantial Completion, and in the absence of alternative provisions in the Contract, be reduced in the proportion which the value of the part or Section so certified bears to the total value of the whole of the Works or Section, as applicable. The provisions of this Sub-Clause shall only apply to the rate of liquidated damages and shall not affect the limit thereof.

46.CERTIFICATE OF SUBSTANTIAL COMPLETION

46.1 Substantial Completion of the Works

When the whole of the Works have been substantially completed and have satisfactorily passed any test on completion prescribed by the Contract, the Contractor may give a notice to that effect to the Engineer accompanied by an undertaking to finish any outstanding work during the Defects Liability Period. Such notice and undertaking shall be in writing and shall be deemed to be a request

by the Contractor, for the Engineer to issue a Certificate of Substantial Completion in respect of the Works. The Engineer shall, within twenty-one (21) days of the date of delivery of such notice either issue to the Contractor, with a copy to the Employer, a Certificate of Substantial Completion stating the date on which, in his opinion, the Works were substantially completed in accordance with the Contract or give instructions in writing to the Contractor specifying all the work which, in the Engineer's opinion, requires to be done by the Contractor before the issuance of such Certificate. The Engineer shall also notify the Contractor of any defects in the Works affecting substantial completion that may appear after such instructions and before completion of the work specified therein. The Contractor shall be entitled to receive such Certificate of Substantial Completion within twenty-one (21) days of completion, to the satisfaction of the Engineer, of the work so specified and making good any defect so notified. Upon issuance of the Certificate of Substantial Completion of the Works, the Contractor shall be deemed to have undertaken to complete with due expedition any outstanding work during the Defects Liability Period.

46.2 Substantial Completion of Sections or Parts of the Works

In accordance with the procedure in Sub-Clause (1) of this Clause and on the same conditions as provided therein, the Contractor may request the Engineer to issue, and the Engineer may issue, a Certificate of Substantial Completion in respect of any Section or part of the Works which has been substantially completed and has satisfactorily passed any tests on completion prescribed by the Contract, if:

- a) a separate time for completion is provided in the Contract in respect of such Section or part of the Works;
- b) such Section or part of the Works has been completed to the satisfaction of the Engineer and is required by the Employer for his occupation or use.

Upon the issuance of such Certificate, the Contractor shall be deemed to have undertaken to complete any outstanding work during the Defects Liability Period.

47. DEFECTS LIABILITY

47.1 Defects Liability Period

The expression "Defects Liability Period" shall mean the period of twelve (12) months, calculated from the date of completion of the Works stated in the Certificate of Substantial Completion issued by the Engineer or, in respect of any Section or part of the Works for which a separate Certificate of Substantial Completion has been issued, from the date of completion of that Section or part as stated in the relevant Certificate. The expression "the Works" shall, in respect of the Defects Liability Period, be construed accordingly.

47.2 Completion of Outstanding Work and Remedying of Defects

During the Defects Liability Period, the Contractor shall finish the work, if any, outstanding at the date of the Certificate of Substantial Completion, and shall execute all such work of repair, amendment, reconstruction, rectification and making good defects, imperfections, shrinkages or other faults as may be required of the Contractor in writing by the Engineer during the Defects Liability Period and within fourteen (14) days after its expiration, as a result of an inspection made by or on behalf of the Engineer prior to expiration of the Defects Liability Period.

47.3 Cost of Execution of Work of Repair, etc.

All such outstanding work shall be carried out by the Contractor at his own expense if the necessity thereof shall, in the opinion of the Engineer, be due to the use of material or workmanship not in

accordance with the Contract, or to neglect or failure on the part of the Contractor to comply with any obligation expressed or implied, on the Contractor's part under the Contract.

47.4 Remedy on Contractor's Failure to Carry Out Work Required

If the Contractor shall fail to do any such work outstanding on the Works, the Employer shall be entitled to employ and pay other persons to carry out the same, and all expenses consequent thereon or incidental thereto shall be recoverable from the Contractor by the Employer, and may be deducted by the Employer from any monies due or which may become due to the Contractor.

47.5 Certificate of Final Completion

Upon satisfactory completion of the work outstanding on the Works, the Engineer shall within twenty eight (28) days of the expiration of the Defects Liability period issue a Certificate of Final Completion to the Contractor. The Contract shall be deemed to be completed upon issuance of such Certificate, provided that the provisions of the Contract which remain unperformed and the Settlement of Disputes provision in the Contract shall remain in force for as long as is necessary to dispose of any outstanding matters or issues between the Parties.

48. ALTERATIONS, ADDITIONS AND OMISSIONS

48.1 Variations

The Engineer may within his powers introduce any variations to the form, type or quality of the Works or any part thereof which he considers necessary and for that purpose or if for any other reasons it shall, in his opinion be desirable, he shall have power to order the Contractor to do and the Contractor shall do any of the following:

- (a) increase or decrease the quantity of any work under the Contract;
- (b) omit any such work;
- (c) change the character or quality or kind of any such work;
- (d) change the levels, lines, positions and dimensions of any part of the Works;
- (e) execute additional work of any kind necessary for the completion of the Works, and no such variation shall in any way vitiate or invalidate the Contract.

48.2 Variations Increasing Cost of Contract or altering the Works.

The Engineer shall, however, obtain the written approval of the Employer before giving any order for any variations which may result in an increase of the Contract Price or in an essential alteration of the quantity, quality or character of the Works.

48.3 Orders for Variations to be in Writing

No variations shall be made by the Contractor without an order in writing from the Engineer. Variations requiring the written approval of the Employer under Item (2) of this Clause shall be made by the Contractor only upon written order from the Engineer accompanied by a copy of the Employer's approval. Provided that, subject to the provisions of the Contract, no order in writing shall be required for any increase or decrease in the quantity of any work where such increase or decrease is not the result of an order given under this Clause but is the result of the quantities exceeding or being less than those stated in the Bill of Quantities.

48.4 Valuation of Variations

The Engineer shall estimate to the Employer the amount to be added or deducted from the Contract Price in respect of any variation, addition or omission. In the case of any variation, addition or omission which may result in an increase of the Contract Price, the Engineer shall communicate such estimate to the Employer together with his request for the Employer's written approval of such variation, addition or omission. The value of any variation, addition or omission shall be calculated on the basis of the unit prices contained in the Bill of Quantities.

49.PLANT, TEMPORARY WORKS AND MATERIALS

49.1 Plant, etc., Exclusive Use for the Works

All Constructional Plant, Temporary Works and Materials provided by the Contractor shall, when brought on the Site, be deemed to be exclusively intended for the construction and completion of the Works and the Contractor shall not remove the same or any part thereof (save for the purpose of moving it from one part of the Site to another) without the consent in writing of the Engineer which shall not be unreasonably withheld.

49.2 Removal of Plant, etc.

Upon completion of the Works the Contractor shall remove from the Site all the said Constructional Plant and Temporary Works remaining thereon and any unused materials provided by the Contractor.

49.3 Employer not liable for Damage to Plant

The Employer shall not be at any time liable for the loss of any of the said Constructional plant, Temporary Works or Materials save if such loss results from the act or neglect of the Employer, its employees or agents.

49.4 Ownership of paid material and work

All material and work covered by payments made by the Employer to the Contractor shall thereupon become the sole property of the Employer, but this provision shall not be construed as relieving the Contractor from the sole responsibility for all material and work upon which payments have been made or the restoration of any damaged work or as waiving the right of the Employer to require the fulfillment of all of the terms of the Contract.

49.5 Equipment and supplies furnished by Employer

Title to any equipment and supplies which may be furnished by the Employer shall rest with the Employer and any such equipment and supplies shall be returned to the Employer at the conclusion of the Contract or when no longer needed by the Contractor. Such equipment when returned to the Employer, shall be in the same condition as when delivered to the Contractor, subject to normal wear and tear.

50.APPROVAL OF MATERIALS ETC., NOT IMPLIED

The operation of Clause 49 hereof shall not be deemed to imply any approval by the Engineer of the materials or other matters referred to therein nor shall it prevent the rejection of any such materials at any time by the Engineer.

51.MEASUREMENT OF WORKS

The Engineer shall, when he requires any part or parts of the Works to be measured, give notice to the Contractor or the Contractor's authorized agent or representative who shall forthwith attend or

send a qualified agent to assist the Engineer in making such measurement and shall furnish all particulars required by either of them. Should the Contractor not attend or neglect or omit to send such agent, then the measurement made by the Engineer or approved by him shall be taken to be the correct measurement of the work. The purpose of measuring is to ascertain the volume of work executed by the Contractor and therefore determine the amount of the monthly payments.

52.LIABILITY OF THE PARTIES

52.1 The Works shall not be considered as completed until a Certificate of Final Completion shall have been signed by the Engineer and delivered to the Employer stating that the Works have been completed and that the Contractor has fulfilled all his obligations under Clause 47 to his satisfaction.

52.2 The Employer shall not be liable to the Contractor for any matter arising out of or in connection with the Contract or the execution of the Works unless the Contractor shall have made a claim in writing in respect thereof before the giving of the Certificate of Final Completion and in accordance with the Contract.

52.3 Unfulfilled Obligations

Notwithstanding the issue of the Certificate of Final Completion, the Contractor shall remain liable for the fulfillment of any obligation incurred under the provisions of the Contract prior to the issuance of the Certificate of Final Completion and which remains unperformed at the time such Certificate is issued. For the purpose of determining the nature and extent of any such obligation the Contract shall be deemed to remain in force between the parties hereto.

52.4 Contractor Responsible

Notwithstanding any other provisions in the Contract documents, the Contractor shall be totally responsible for and shall bear any and all risks of loss or damage to or failure of the Works or any part thereof for a period of ten years after issuance of the Certificate of Final Completion, provided always that such risks, damage or failure result from acts, defaults and negligence of the Contractor, his agents, employees or workmen and such contractors.

53.AUTHORITIES

53.1 The Employer shall have the right to enter upon the Site and expel the Contractor therefrom without thereby voiding the Contract or releasing the Contractor from any of his obligations or liabilities under the Contract or affecting the rights and powers conferred on the Employer and the Engineer by the Contract in any of the following cases:

- (a) If the Contractor is declared bankrupt or claims bankruptcy or court protection against his creditors or if the Contractor is a company or member of a company which was dissolved by legal action;
- (b) If the Contractor makes arrangements with his creditors or agrees to carry out the Contract under an inspection committee of his creditors;
- (c) If the Contractor withdraws from the Works or assigns the Contract to others in whole or in part without the Employer's prior written approval;
- (d) If the Contractor fails to commence the Works or shows insufficient progress to the extent which in the opinion of the Engineer will not enable him to meet the target completion date of the Works;
- (e) If the Contractor suspends the progress of the Works without due cause for fifteen (15) days after receiving from the Engineer written notice to proceed;

- (f) If the Contractor fails to comply with any of the Contract conditions or fails to fulfill his obligations and does not remedy the cause of his failure within fifteen (15) days after being notified to do so in writing;
- (g) If the Contractor is not executing the work in accordance with standards of workmanship specified in the Contract;
- (h) If the Contractor gives or promises to give a present or loan or reward to any employee of the Employer or of the Engineer.

Then the Employer may himself complete the Works or may employ any other contractor to complete the Works and the Employer or such other contractor may use for such completion so much of Constructional Plant, Temporary Works and Materials, which have been deemed to be reserved exclusively for the construction and completion of the Works under the provision of the Contract as he or they may think proper and the Employer may at any time sell any of the said Constructional Plant, Temporary Works and unused materials and apply the proceeds of sale in or towards the satisfaction of any sums due or which may become due to him from the Contractor under the Contract.

53.2 Evaluation after Re-entry

The Engineer shall as soon as may be practicable after any such entry and expulsion by the Employer notify the Contractor to attend the necessary evaluation of the Works. In the event that for any reason the Contractor does not attend such evaluation the Engineer shall undertake the said evaluation in the absence of the Contractor and shall issue a certificate stating the sum, if any, due to the Contractor for work done in accordance with the Contract up to the time of entry and expulsion by the Employer which has been reasonably accumulated to the Contractor in respect of the Works he has executed in such case in accordance with the Contract. The Engineer shall indicate the value of the materials whether unused or partially used and the value of construction equipment and any part of the Temporary Works.

53.3 Payment After Re-entry

If the Employer shall enter and expel the Contractor under this Clause he shall not be liable to pay the Contractor any money on account of the Contract until the expiration of the Defects Liability Period, and thereafter until the costs of completion and making good any defects of the Works, damages for delay in completion (if any), and all other expenses incurred by the Employer have been ascertained and their amount certified by the Engineer. The Contractor shall then be entitled to receive only such sum or sums (if any) as the Engineer may certify would have been due to him upon due completion by him after deducting the said amount. But if such amount shall exceed the sum which would have been payable to the Contractor on due completion by him,, then the Contractor shall upon demand pay to the Employer the amount of such excess. The Employer in such case may recover this amount from any money due to the Contractor from the Employer without the need to resort to legal procedures.

54.URGENT REPAIRS

If by reason of any accident or failure or other event occurring to, in or in connection with the Works or any part thereof either during the execution of the Works or during the Defects Liability Period any remedial or other work or repair shall in the opinion of the Engineer be urgently necessary for security and the Contractor is unable or unwilling at once to do such work or repair, the Employer may by his own or other workmen do such work or repair as the Engineer may consider necessary. If the work or repair so done by the Employer is work which in the opinion of the Engineer the Contractor was liable to do at his own expense under the Contract, all costs and

charges properly incurred by the Employer in so doing shall on demand be paid by the Contractor to the Employer or may be deducted by the Employer from any monies due or which may become due to the Contractor provided always that the Engineer shall as soon after the occurrence of any such emergency as may be reasonably practicable notify the Contractor thereof in writing.

55.INCREASE AND DECREASE OF COSTS

Except if otherwise provided by the Contract, no adjustment of the Contract Price shall be made in respect of fluctuations of market, prices of labour, materials, plant or equipment, neither due to fluctuation in interest rates nor devaluation or any other matters affecting the Works.

56.TAXATION

The Contractor shall be responsible for the payment of all charges and taxes in respect of income including value added tax, all in accordance with and subject to the provisions of the income tax laws and regulations in force and all amendments thereto. It is the Contractor's responsibility to make all the necessary inquiries in this respect and he shall be deemed to have satisfied himself regarding the application of all relevant tax laws.

57.BLASTING

The Contractor shall not use any explosives without the written permission of the Engineer who shall require that the Contractor has complied in full with the regulations in force regarding the use of explosives. However, the Contractor, before applying to obtain these explosives, has to provide well arranged storage facilities. The Engineer's approval or refusal to permit the use of explosives shall not constitute ground for claims by the Contractor.

58.MACHINERY

The Contractor shall be responsible for coordinating the manufacture, delivery, erection and commissioning of plant machinery and equipment which are to form a part of the Works. He shall place all necessary orders as soon as possible after the signing of the Contract. These orders and their acceptance shall be produced to the Engineer on request. The Contractor shall also be responsible for ensuring that all sub-contractors adhere to such programs as are agreed and are needed to ensure completion of the Works within the period for completion. Should any sub-contracted works be delayed, the Contractor shall initiate the necessary action to speed up such completion. This shall not prejudice the Employer's right to exercise his remedies for delay in accordance with the Contract.

59.TEMPORARY WORKS AND REINSTATEMENT

The Contractor shall provide and maintain all temporary roads and tracks necessary for movement of plant and materials and clear same away at completion and make good all works damaged or disturbed. The Contractor shall submit drawings and full particulars of all Temporary Works to the Engineer before commencing same. The Engineer may require modifications to be made if he considers them to be insufficient and the Contractor shall give effect to such modifications but shall not be relieved of his responsibilities. The Contractor shall provide and maintain weather-proof sheds for storage of material pertinent to the Works both for his own use and for the use of the Employer and clear same away at the completion of the Works. The Contractor shall divert as required, at his own cost and subject to the approval of the Engineer, all public utilities encountered during the progress of the Works, except those specially indicated on the drawings as being included in the Contract. Where diversions of services are not required in connection with the Works, the Contractor shall uphold, maintain and keep the same in working order in existing locations. The Contractor shall make good, at his own expense, all damage to telephone, telegraph and electric cable or wires, sewers, water or other pipes and other services, except where the Public Authority

or Private Party owning or responsible for the same elects to make good the damage. The costs incurred in so doing shall be paid by the Contractor to the Public Authority or Private Party on demand.

60.PHOTOGRAPHS AND ADVERTISING

The Contractor shall not publish any photographs of the Works or allow the Works to be used in any form of advertising whatsoever without the prior approval in writing from the Employer.

61.PREVENTION OF CORRUPTION

The Employer shall be entitled to cancel the Contract and to recover from the Contractor the amount of any loss resulting from such cancellation, if the Contractor has offered or given any person any gift or consideration of any kind as an inducement or reward for doing or intending to do any action in relation to the obtaining or the execution of the Contract or any other contract with the Employer or for showing or intending to show favour or disfavour to any person in relation to the Contract or any other contract with the Employer, if the like acts shall have been done by any persons employed by him or acting on his behalf whether with or without the knowledge of the Contractor in relation to this or any other Contract with the Employer.

62.DATE FALLING ON HOLIDAY

Where under the terms of the Contract any act is to be done or any period is to expire upon a certain day and that day or that period fall on a day of rest or recognized holiday, the Contract shall have effect as if the act were to be done or the period to expire upon the working day following such day.

63.NOTICES

- 63.1** Unless otherwise expressly specified, any notice, consent, approval, certificate or determination by any person for which provision is made in the Contract Documents shall be in writing. Any such notice, consent, approval, certificate or determination to be given or made by the Employer, the Contractor or the Engineer shall not be unreasonably withheld or delayed.
- 63.2** Any notice, certificate or instruction to be given to the Contractor by the Engineer or the Employer under the terms of the Contract shall be sent by post, cable, telex or facsimile at the Contractor's principal place of business specified in the Contract or such other address as the Contractor shall nominate in writing for that purpose, or by delivering the same at the said address against an authorized signature certifying the receipt.
- 63.3** Any notice to be given to the Employer under the terms of the Contract shall be sent by post, cable, telex or facsimile at the Employer's address specified in the Contract, or by delivering the same at the said address against an authorized signature certifying the receipt.
- 63.4** Any notice to be given to the Engineer under the terms of this Contract shall be sent by post, cable, telex or facsimile at the Engineer's address specified in the Contract, or by delivering the same at the said address against an authorized signature certifying the receipt.

64.LANGUAGE, WEIGHTS AND MEASURES

Except as may be otherwise specified in the Contract, English shall be used by the Contractor in all written communications to the Employer or the Engineer with respect to the services to be rendered and with respect to all documents procured or prepared by the Contractor pertaining to the Works. The metric system of weights and measures shall be used in all instances.

65.RECORDS, ACCOUNTS, INFORMATION AND AUDIT

The Contractor shall maintain accurate and systematic records and accounts in respect of the work performed under this Contract.

The Contractor shall furnish, compile or make available at all times to the UNDP any records or information, oral or written, which the UNDP may reasonably request in respect of the Works or the Contractor's performance thereof.

The Contractor shall allow the UNDP or its authorized agents to inspect and audit such records or information upon reasonable notice.

66.FORCE MAJEURE

Force majeure as used herein means Acts of God, war (whether declared or not), invasion, revolution, insurrection or other acts or events of a similar nature or force.

In the event of and as soon as possible after the occurrence of any cause constituting force majeure, the Contractor shall give notice and full particulars in writing to the UNDP and to the Engineer of such force majeure if the Contractor is thereby rendered unable, wholly or in part, to perform its obligations and meet its responsibilities under this Contract. Subject to acceptance by the UNDP of the existence of such force majeure, which acceptance shall not be unreasonably withheld, the following provisions shall apply:

- (a) The obligations and responsibilities of the Contractor under this Contract shall be suspended to the extent of his inability to perform them and for as long as such inability continues. During such suspension and in respect of work suspended, the Contractor shall be reimbursed by the UNDP substantiated costs of maintenance of the Contractor's equipment and of per diem of the Contractor's permanent personnel rendered idle by such suspension;
- (b) The Contractor shall within fifteen (15) days of the notice to the UNDP of the occurrence of the force majeure submit a statement to the UNDP of estimated costs referred to in sub-paragraph (a) above during the period of suspension followed by a complete statement of actual expenditures within thirty (30) days after the end of the suspension;
- (c) The term of this Contract shall be extended for a period equal to the period of suspension taking however into account any special condition which may cause the additional time for completion of the Works to be different from the period of suspension;
- (d) If the Contractor is rendered permanently unable, wholly or in part, by reason of force majeure, to perform his obligations and meet his responsibilities under the Contract, the UNDP shall have the right to terminate the Contract on the same terms and conditions as provided for in Clause 68 of these General Conditions, except that the period of notice shall be seven (7) days instead of fourteen (14) days, and
- (e) For the purpose of the preceding sub-paragraph, the UNDP may consider the Contractor permanently unable to perform in case of any suspension period of more than ninety (90) days.

67.SUSPENSION BY THE UNDP

The UNDP may by written notice to the Contractor suspend for a specified period, in whole or in part, payments to the Contractor and/or the Contractor's obligation to continue to perform the Works under this Contract, if in the UNDP' sole discretion:

- (a) any conditions arise which interfere, or threaten to interfere with the successful execution of the Works or the accomplishment of the purpose thereof, or
- (b) the Contractor shall have failed, in whole or in part, to perform any of the terms and conditions of this Contract.

After suspension under sub-paragraph (a) above, the Contractor shall be entitled to reimbursement by the UNDP of such costs as shall have been duly incurred in accordance with this Contract prior to the commencement of the period of such suspension.

The term of this Contract may be extended by the UNDP for a period equal to any period of suspension, taking into account any special conditions which may cause the additional time for completion of the Works to be different from the period of suspension.

68 .TERMINATION BY THE UNDP

The UNDP may, notwithstanding any suspension under Clause 67 above, terminate this Contract for cause or convenience in the interest of the UNDP upon not less than fourteen (14) days written notice to the Contractor.

Upon termination of this Contract:

- (a) The Contractor shall take immediate steps to terminate his performance of the Contract in a prompt and orderly manner and to reduce losses and to keep further expenditures to a minimum, and
- (b) The Contractor shall be entitled (unless such termination has been occasioned by the Contractor's breach of this Contract), to be paid for the part of the Works satisfactorily completed and for the materials and equipment properly delivered to the Site as of the date of termination for incorporation to the Works, plus substantiated costs resulting from commitments entered into prior to the date of termination as well as any reasonable substantiated direct costs incurred by the Contractor as a result of the termination, but shall not be entitled to receive any other or further payment or damages.

69.TERMINATION BY THE CONTRACTOR

In the case of any alleged breach by the UNDP of the Contract or in any other situation which the Contractor reasonably considers to entitle him to terminate his performance of the Contract, the Contractor shall promptly give written notice to the UNDP detailing the nature and the circumstances of the breach or other situation. Upon acknowledgement in writing by the UNDP of the existence of such breach and the UNDP' inability to remedy it, or upon failure of the UNDP to respond to such notice within twenty (20) days of receipt thereof, the Contractor shall be entitled to terminate this Contract by giving 30 days written notice thereof. In the event of disagreement between the Parties as to the existence of such breach or other situation referred to above, the matter shall be resolved in accordance with Clause 71 of these General Conditions.

Upon termination of this Contract under this Clause the provisions of sub-paragraph (b) of Clause 68 hereof shall apply.

70.RIGHTS AND REMEDIES OF THE UNDP

Nothing in or relating to this Contract shall be deemed to prejudice or constitute a waiver of any other rights or remedies of the UNDP.

The UNDP shall not be liable for any consequences of, or claim based upon, any act or omission on the part of the Government.

71.SETTLEMENT OF DISPUTES

In the case of any claim, controversy or dispute arising out of, or in connection with this Contract or any breach thereof, the following procedure for resolution of such claim, controversy or dispute shall apply.

71.1 Notification

The aggrieved party shall immediately notify the other party in writing of the nature of the alleged claim, controversy or dispute, not later than seven (7) days from awareness of the existence thereof.

71.2 Consultation

On receipt of the notification provided above, the representatives of the Parties shall start consultations with a view to reaching an amicable resolution of the claim, controversy or dispute without causing interruption of the Works.

71.3 Conciliation

Where the representatives of the Parties are unable to reach such an amicable settlement, either party may request the submission of the matter to conciliation in accordance with the UNCITRAL Rules of Conciliation then obtaining.

71.4 Arbitration

Any claim, controversy or dispute which is not settled as provided under clauses 71.1 through 3 above shall be referred to arbitration in accordance with the UNCITRAL Arbitration Rules then obtaining. The Parties shall be bound by the arbitration award rendered in accordance with such arbitration as the final adjudication of any such controversy or claim.

72. PRIVILEGES AND IMMUNITIES

Nothing in or relating to this Contract shall be deemed a waiver of any of the privileges and immunities of the United Nations of which the UNDP is an integral part.

73. SECURITY

The Contractor shall:

- (a) put in place an appropriate security plan and maintain the security plan, taking into account the security situation in the country where the services are being provided;
- (b) assume all risks and liabilities related to the Contractor's security, and the full implementation of the security plan.

UNDP reserves the right to verify whether such a plan is in place, and to suggest modifications to the plan when necessary. Failure to maintain and implement an appropriate security plan as required hereunder shall be deemed a breach of this contract. Notwithstanding the foregoing, the Contractor shall remain solely responsible for the security of its personnel and for UNDP's property in its custody as set forth in paragraph 4.1 above.

74. AUDIT AND INVESTIGATIONS

Each invoice paid by UNDP shall be subject to a post-payment audit by auditors, whether internal or external, of UNDP or the authorized agents of the UNDP at any time during the term of the Contract

and for a period of three (3) years following the expiration or prior termination of the Contract. The UNDP shall be entitled to a refund from the Contractor for any amounts shown by such audits to have been paid by the UNDP other than in accordance with the terms and conditions of the Contract. Should the audit determine that any funds paid by UNDP have not been used as per contract clauses, the company shall reimburse such funds forthwith. Where the company fails to reimburse such funds, UNDP reserves the right to seek recovery and/or to take any other action as it deems necessary.

The Contractor acknowledges and agrees that, at anytime, UNDP may conduct investigations relating to any aspect of the Contract, the obligations performed under the Contract, and the operations of the Contractor generally. The right of UNDP to conduct an investigation and the Contractor's obligation to comply with such an investigation shall not lapse upon expiration or prior termination of the Contract. The Contractor shall provide its full and timely cooperation with any such inspections, post-payment audits or investigations. Such cooperation shall include, but shall not be limited to, the Contractor's obligation to make available its personnel and any documentation for such purposes and to grant to UNDP access to the Contractor's premises. The Contractor shall require its agents, including, but not limited to, the Contractor's attorneys, accountants or other advisers, to reasonably cooperate with any inspections, post-payment audits or investigations carried out by UNDP hereunder.

75. ANTI-TERRORISM

The Contractor agrees to undertake all reasonable efforts to ensure that none of the UNDP funds received under this Contract are used to provide support to individuals or entities associated with terrorism and that the recipients of any amounts provided by UNDP hereunder do not appear on the list maintained by the Security Council Committee established pursuant to resolution 1267 (1999). The list can be accessed via <http://www.un.org/Docs/sc/committees/1267/1267ListEng.htm>. This provision must be included in all sub-contracts or sub-agreements entered into under this Contract.

ANNEX 1. Submission Templates and Forms

The table below is provided to the Bidders for instructive purposes. Offers shall be organized in the order below and in reference to the respective sections.

Bidders are responsible with a detailed examination of all the ITB in order not to overlook any requirement and make sure to submit all required documents that may not be listed in the following table.

Inner Envelope 1: Price Proposal

Price Proposal		Reference
1	Bid Submission Form	Section 4 of the ITB
2	Price Schedule Form	Section 6 of the ITB
3	Form for Bid Security	Section 7 of the ITB

Inner Envelope 2: Technical Proposal

Administrative Compliance Documents		Relevant Submission Forms
1	<u>Copy</u> of the document(s) (e.g. trade registration gazette or equivalent etc.) that prove(s) the constitution of the company	-
2	<u>Copy</u> of the document(s) (e.g. trade registration gazette or equivalent etc.) that demonstrate(s) recent change(s) (i.e. title, address, shareholding structure) and current status of the Company	-
3	Signature Circular and/or Power of Attorney, demonstrating authority to sign on behalf of the Bidder, certified by the notary public.	-
4	Statement of Declaration for <ul style="list-style-type: none"> • Eligibility in Tendering Process • Address Notification 	<ul style="list-style-type: none"> • Form 1.1: Statement of Declaration
5	All other requested administrative documents as indicated in Data Sheet (No. 28)	-

Technical Proposal					
Section	Title	Content	Relevant Submission Forms	Mandatory Attachments	Optional Attachments
Section 1:	Expertise of the Firm/Organization	As described in the Instructions to Bidders	<ul style="list-style-type: none"> Form 1.1: Statement of Declaration Form 1.1.4: History Of Non-Performance and (last 5 years) Form: 1.2.1: Single Similar Work Experience Form: 1.2.2: Total Similar Work Experience Form: 1.3.1: Financial Resources Form: 1.3.2: Financial Strength 	<ul style="list-style-type: none"> Document(s) evidencing financial volume and similarity of the scope of referenced work. Reference letters from the bidder's bank(s) Copy of the quality assurance certificate(s), if any Copies of work completion certificates, copies of client letters etc. Audited financial statements for years 2014, 2015 and 2016. (Income Statement and Balance Sheet) 	Bidders <u>may</u> consider submitting optional attachments that would substantiate their proposals.
Section 2	Proposed Methodology, Approach and Implementation Plan	As described in the Instructions to Bidders	<ul style="list-style-type: none"> Form: 2.2.3: Time Plan 	None	Bidders <u>may</u> consider submitting optional attachments that would substantiate their proposals.
Section 3:	Management Structure and Key Personnel	As described in the Instructions to Bidders	<ul style="list-style-type: none"> Form 3.1: List of Proposed Key Personnel Form 3.1.x.: Identical CVs of the Assignment Team members <p><u>Submission form 3.1.x is to be replicated for all key technical staff, and enumerated accordingly.</u></p>	<ul style="list-style-type: none"> Copies of diplomas, Certifications, if any, that are indicated as assets for the key personnel in the Terms of Reference 	Bidders <u>may</u> consider submitting optional attachments that would substantiate their proposals.

All "submission forms" regardless of whether there is a specific place for signature should be signed by the authorized person(s) of the Bidder, demonstrating correctness and accuracy of the information provided in the submission forms. This does not apply to the notarized documents and to the bid bond.

(To be printed on company letterhead.)

Form 1.1: Statement of Declaration

To:
United Nations Development Programme (UNDP)
Birlik Mah. Katar Cad. No: 11, Çankaya, Ankara, Turkey

We, the undersigned, submit our Proposal the referenced ITB and declare that:

We have examined and have no reservations to the ITB including any Addendum (or Addenda to same effect), issued by the procuring UNDP entity in accordance with Instructions to Bidders.

We understand that you may cancel the ITB process at any time and that you are neither bound to accept any proposal that you may receive, without incurring any liability to the Bidders.

We are not associated, or have been associated in the past, directly or indirectly, with a firm or any of its affiliates which have been engaged by the Employer to provide consulting services for the preparation of the ITB, and/or services for design and construction of the civil works, defined Schedule of Requirements and Technical Specifications in of the ITB,

As of the date of this statement of declaration, we are not in the circumstances of disqualification or restriction set forth in the Laws (or as per the relevant laws of the country in which we operate) and we are not in the circumstances of those that cannot participate in the procurement as per the same Laws (or as per the relevant laws of the country in which we operate). If any change occurs in this case declared, we undertake to notify the UNDP the Contracting Entity promptly.

a) The following information shall be used by UNDP to notify us:

Name of the Company Submitting the Offer	
Country of Registration	
Name of the Authorized Contact Person for this submission	
Notification Address	
Telephone	
Fax	
E-mail	

On this Date: .../.../.....
Signature & Stamp
Name, Last name,
Title,

Form 1.1.4: History Of Non-Performance and Litigation (last 5 years)

ITB No. and title: [UNDP-TUR-ITB-PROJ(AKADP)2017/01]

To: UNDP
Birlik Mah. Katar Cad. No:11
Çankaya, Ankara, 06610, Turkey

We, the undersigned, confirm that following information is correct and reflects our company's history of non-performance and litigation in the last five years (2012 - 2016):

Non-performing Contracts:				
<input type="checkbox"/> Contract non-performance did not occur during the last 5 years				
<input type="checkbox"/> Contract non-performance occurred during the last 5 years				
	Year	Outcome as % of Total Assets	Contract Identification	Total Contract Value (TRY, Equivalent)
			<i>Contract Identification: Name of Employer: Address of Employer: Matter in dispute:</i>	

Litigation History				
<input type="checkbox"/> No litigation history				
<input type="checkbox"/> Litigation history				
	Year	Outcome as % of Total Assets	Contract Identification	Total Contract Value (TRY, Equivalent)
			<i>Contract Identification: Name of Employer: Address of Employer: Matter in dispute:</i>	

Best regards,

On this Date: .../.../.....
Signature & Stamp
Name, Last name,
Title,

Form: 1.2.1: Single Similar Work Experience

Ref No: 1	Project title					
Country	Overall project value (TRY)*	Proportion carried out by Bidder (%)*	N° of staff provided*	Name of the Employer	Source of funding*	Dates (start/end)
Detailed description of project*				Type of services provided*		

* The information presented in these sections constitute the eligibility criteria

Please attach documents evidencing financial volume and similarity of the referenced work. If such documents are in a Language other than the English Language, a translation in English Language should also be provided.

In order to convert from USD (or other foreign currency) values to TRL please use the conversion rates or cross rates of the Central Bank of Republic of Turkey (www.tcmb.gov.tr). The conversion rate (selling prices) or the cross rate to be used is the rate published by the Central Bank of Republic of Turkey for the last day of the year in which the referenced work is completed. The conversion rates (selling prices) and cross rates (EUR/USD) for the years 2012, 2013, 2014, 2015 and 2016 are provided below for reference purposes.

Year	Reference Institution	Reference Date	1 USD =	1 EUR=
2012	Central Bank of the Republic of Turkey	31.12.2012	1.7862 TRL	1,3193 USD
2013	Central Bank of the Republic of Turkey	31.12.2013	2.1343 TRL	1.3774 USD
2014	Central Bank of the Republic of Turkey	31.12.2014	2.3311 TRL	1.2150 USD
2015	Central Bank of the Republic of Turkey	31.12.2015	2.9233 TRL	1.0911 USD
2016	Central Bank of the Republic of Turkey	30.12.2016	3.5255 TRL	1.0542 USD

On this Date: .../..../.....

Signature & Stamp

Name, Last name,

Title,

Form: 1.2.2: Total Similar Work Experience

Ref No	Title of the Project*	Brief description of project*	Name of the Employer	Country	Proportion carried out by the Bidder (%)*	Dates (start /end)	Overall project value (TRY)*
1							
2							
...							
<i>n</i>							
Total							

* The information presented in these sections constitute the eligibility criteria

Please attach documents evidencing financial volume and similarity of the referenced work. If such documents are in a Language other than the English Language, a translation in English Language should also be provided.

In order to convert from USD (or other foreign currency) values to TRY please use the conversion rates or cross rates of the Central Bank of Republic of Turkey (www.tcmb.gov.tr). The conversion rate (selling prices) or the cross rate to be used is the rate published by the Central Bank of Republic of Turkey for the last day of the year in which the referenced work is completed.

On this Date: .../.../.....

Signature & Stamp

Name, Last name,

Title,

Form 1.3.2: Financial Strength

ITB No. and title: [UNDP-TUR-ITB-PROJ(AKADP)2017/01]

To: UNDP
Birlik Mah. Katar Cad. No:11
Çankaya, Ankara, 06610, Turkey

We, the undersigned, confirm that following information is correct and reflects our company's financial situation.

	2014	2015	2016	Average
Turnover (TRY)*				
Current Assets				
Current Liabilities				
Current Ratio*				

Bidder shall complete Form 1.3.2, supplemented with audited financial statements for years 2014, 2015 and 2016.

*An average current ratio (current assets/current liabilities) equal to or higher than 1 (one) in the period of review (i.e. 2014, 2015 and 2016) or current ratio (current assets/current liabilities) equal to or higher than 1 (one) in 2016.

On this Date: .../.../.....

Signature & Stamp

Name, Last name,

Title,

FORM 2.2.3: TIME PLAN

Activities	Month 1				Month 2				Month 3							
	W0 1	W0 2	W0 3	W0 4	W0 5	W0 6	W0 7	W0 8	W0 9	W1 0	W1 1	W1 2				
1...																		
1.1...																		
1.2...																		
...																		
...																		
<i>Add lines for activities as necessary</i>																		
...																		
...																		
...																		

Add months and weeks as necessary

- 1 Indicate all main activities of the assignment, including delivery of reports and other benchmarks such as Client approvals. For phased assignments indicate activities, delivery of reports, and benchmarks separately for each phase.
- 2 Duration of activities shall be indicated in the form of a bar chart.

1. General Notes:

The contractor will be required, at the minimum, to mobilize the key personnel, listed below, that carry the qualifications. The bidders shall furnish Key Personnel Commitment Form, supplemented with CVs of the key personnel (by using the CV template provided in these solicitation documents) and copies of the diplomas, certificates, memberships to occupational organizations etc. of the proposed key personnel.

Form	Subject	Requirement	Documentation to be submitted
3.1 3.1.1 3.1.2 3.1.3	Personnel	<p>The Bidder must demonstrate that it will have the personnel for the key positions that meet the following requirements:</p> <p>Site Engineer (Civil Engineer):</p> <ul style="list-style-type: none"> • University degree in civil engineering, • Fluency in Turkish and English, • At least 3 years experience in construction of buildings or fencing or manufacturing and installation of steel works etc. 	<p>Form: 3.1: List of Proposed Key Personnel</p> <p>Form 3.1.x, to be replicated for each key expert position (the CVs should substantiate that the proposed personnel meet the requirements)</p>

Form: 3.1: List of Proposed Key Personnel (i.e. Assignment Team Members)							
We the undersigned commit to engaging the key technical staff whose names appear below. We confirm that the key personnel listed below meet the minimum requirements listed above							
No	Position	Name, Last Name	Degree and Year of Graduation	Years of general professional experience	# of projects involved in the proposed area of expertise	English Language Skills (Yes/No)	Turkish Language Skills (Yes/No)
3.1.1	Site Engineer (Civil Engineer)						

On this Date: .../.../.....

Signature & Stamp

Name, Last name,

Title,

Form: 3.1.x: CV Template [Replicate this form and enumerate accordingly for each key personnel]

1	Proposed Position			
2	Name and Last Name			
3	Nationality			
4	Contact Information	Address: Tel: Email:		
General Qualifications				
5.	Education (start with the highest degree obtained) – attach copy of the diploma			
	Degree	University/Faculty/Department	Year of Graduation	
5.1				
5.2				
5.3				
6	Language Qualifications (5: excellent, 1: very poor)			
	Language	Writing	Reading	Speaking
6.1	Turkish			
6.2	English			
6.3	Other			
7	Computer Skills (5: excellent, 1: beginner)			Certifications (if any)
7.1	[Name the software]	[Rate skill level: 5: Excellent, 1: Beginner]		[Attach, if yes]
7.2	[Name the software]	[Rate skill level: 5: Excellent, 1: Beginner]		[Attach, if yes]
7.3	[Name the software]	[Rate skill level: 5: Excellent, 1: Beginner]		[Attach, if yes]
7.4	[Name the software]	[Rate skill level: 5: Excellent, 1: Beginner]		[Attach, if yes]
7.5	[Name the software]	[Rate skill level: 5: Excellent, 1: Beginner]		[Attach, if yes]
8	Other Skills (Reporting, writing skills etc., 5: excellent, 1: very poor) – add rows if needed,			
8.1	[indicate the skill]			[rate]
8.3	[indicate the skill]			[rate]
8.4	[indicate the skill]			[rate]
9	Membership to relevant professional/occupational bodies add/delete rows if needed,			
	Professional/Occupational Body			Membership since
9.1	[Name the Professional/Occupational Body]			[year]
9.2	[Name the Professional/Occupational Body]			[year]
10	Experience with International Organizations add/delete rows if needed,			
	Int'l Organization	From (mm/yyyy)	To (mm/yyyy)	Services
10.1				
10.2				
10.3				
Professional Experience –add/delete rows if needed				
11	General Professional Experience			Reference to Similar Work Experience based on the Terms of Reference
	From/To	Entity	Description of Main Functions	

Form: 3.1.x: CV Template [Replicate this form and enumerate accordingly for each key personnel]

11.1	From: Month/Year To: Month/Year	Indicate the name of the employer, or self employed	Describe your role and main function (civil engineer, survey engineer etc.)	Indicate similar work experience
11.2	From: Month/Year To: Month/Year	Indicate the name of the employer, or self employed	Describe your role and main function	Indicate similar work experience
11.3	From: Month/Year To: Month/Year	Indicate the name of the employer, or self employed	Describe your role and main function	Indicate similar work experience
11.4	Add rows if needed	Indicate the name of the employer, or self employed	Describe your role and main function	Indicate similar work experience
12	References			
	Name of Reference	Entity and Position	Contact Information	Project
12.1				
12.2				
12.3				
13	Certification			
13.1	<p>By the proposed personnel: I, the undersigned, certify that to the best of my knowledge and belief, these data correctly describes me, my qualifications and my experience. I confirm my intention to serve within the proposed capacity and my availability to perform the duties listed in the ToR.</p>			
	Date and Signature			

Attachments: Copies of diploma(s) and copies of certifications (if any) should be attached.

Guidance Note on Form: 1.2.1: Single Similar Work Experience, Form: 1.2.2: Total Similar Work
Not to be submitted

Bidders are expected to fill out Form 1.2.1 and Form 1.2.2, in accordance with the guidance provided below.

1) What is similar work experience?

- Similar Work Experience is construction of superstructure or fencing or manufacturing and installation of steel works etc.

2) What is the time horizon that determines eligibility of a reference?

The similar construction work experience, cited by the bidders should be “ongoing” (min 80% completed) or “completed” in 2012, 2013, 2014, 2015 and/or 2016.

3) What are the supporting documents to be attached to Form 1.2.1 and Form 1.2.2?

Supporting to be attached to Form 1.2.1 and Form 1.2.2 are:

- a) For completed projects
 - Copy of work completion certificates
 - Copies of invoices
 - Copies of progress payment certificates
- b) For ongoing projects
 - Copy of the contract (and amendment(s), if any)
 - Copies of progress payment certificates
 - Copies of invoices

4) What is the basis of calculation of contract amount?

For completed projects the basis of calculation should be the amount indicated in the work completion certificate (i.e. Proportion of the total contract amount carried out by the Bidder)

For ongoing projects the basis of calculation should be the amount indicated in the contract (i.e. Proportion of the total contract amount carried out by the Bidder) as amended by addenda, if any.

5) How the non-TRL amounts are converted into TRL?

In order to arrive to the TRL values, the following conversion rates need to be used. If the subject matter currency (i.e. the currency of the work completion certificate, income statement etc.) is other than US Dollar (USD) or Euro (EUR), the conversion (selling prices) or cross rates for the reference dates given in below table and available at the web page of Central Bank of Republic of Turkey (www.tcmb.gov.tr) are to be used. The following table provides the reference dates for each eligible year. The conversion rates or cross rates to be used by Bidder should be the conversion rates or cross rates stated for the reference dates in the following table.

Year	Reference Institution	Reference Date	1 USD =	1 EUR=
2012	Central Bank of the Republic of Turkey	31.12.2012	1.7862 TRL	1,3193 USD
2013	Central Bank of the Republic of Turkey	31.12.2013	2.1343 TRL	1.3774 USD
2014	Central Bank of the Republic of Turkey	31.12.2014	2.3311 TRL	1.2150 USD
2015	Central Bank of the Republic of Turkey	31.12.2015	2.9233 TRL	1.0911 USD
2016	Central Bank of the Republic of Turkey	30.12.2016	3.5255 TRL	1.0542 USD